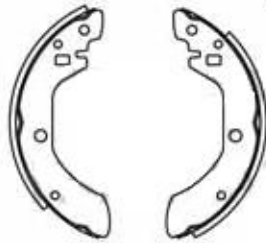
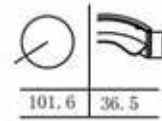


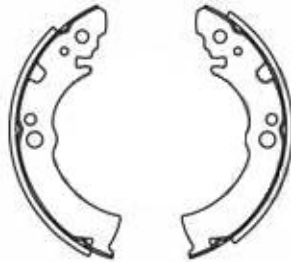
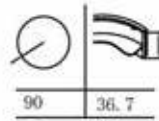
ZZ 001



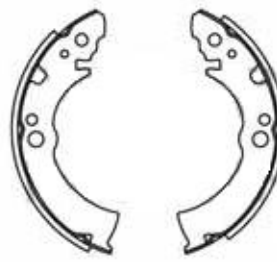
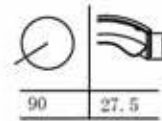
ZZ 002



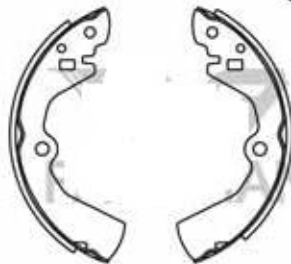
ZZ 003



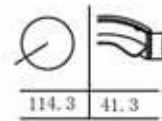
ZZ 004



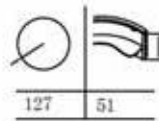
ZZ 005



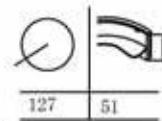
ZZ 006

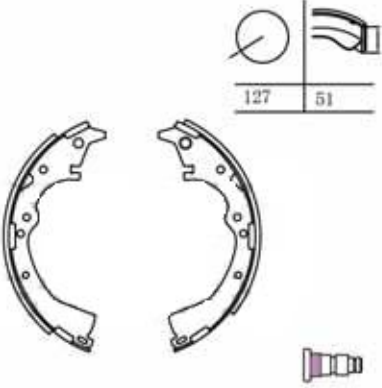
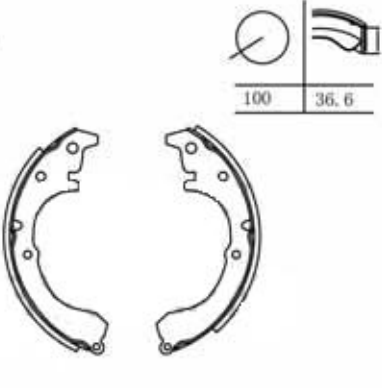
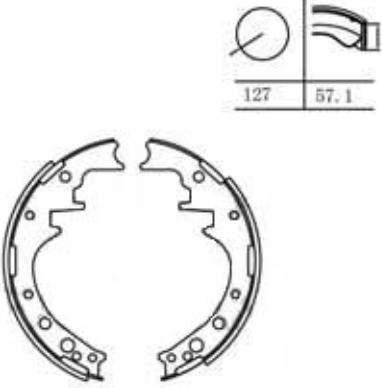
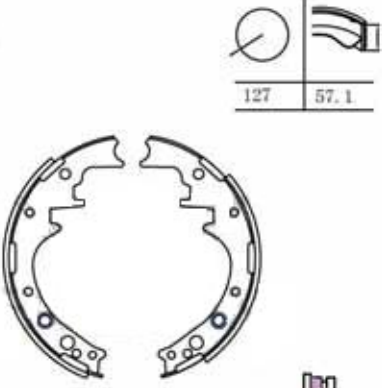


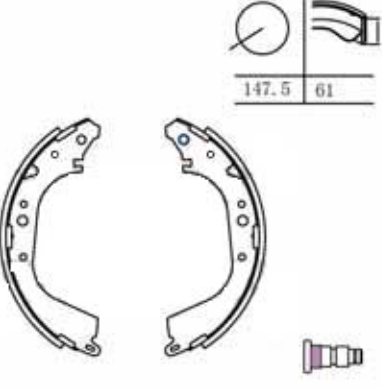







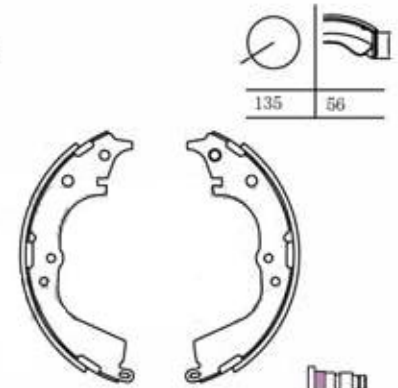
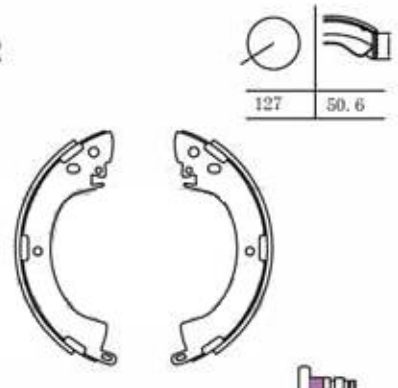


ZZ 007


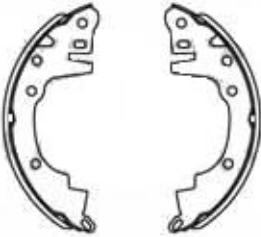

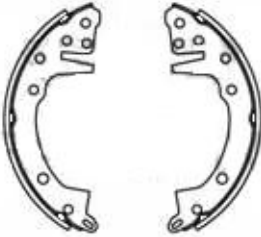
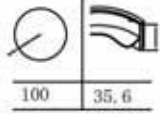

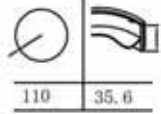
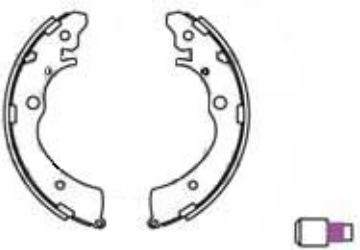




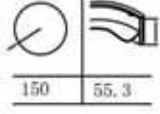
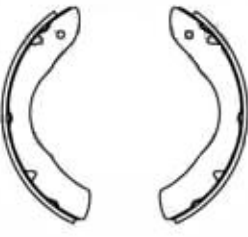
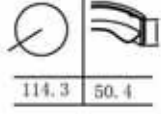



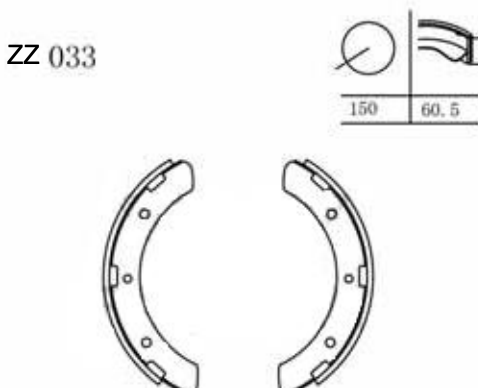
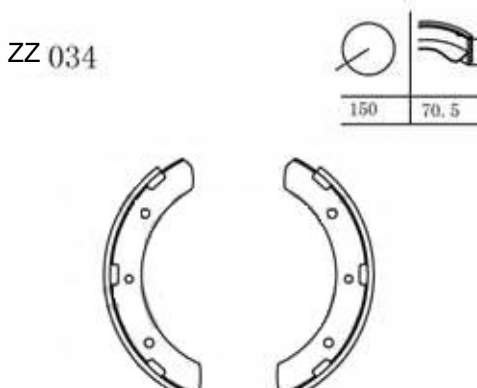

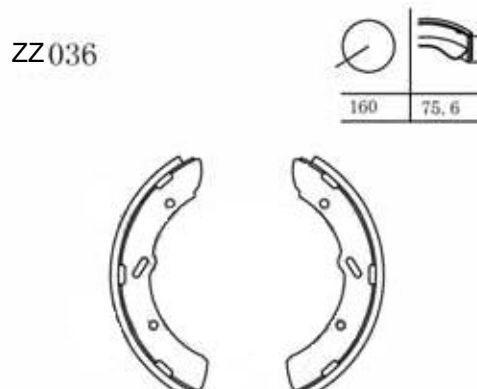



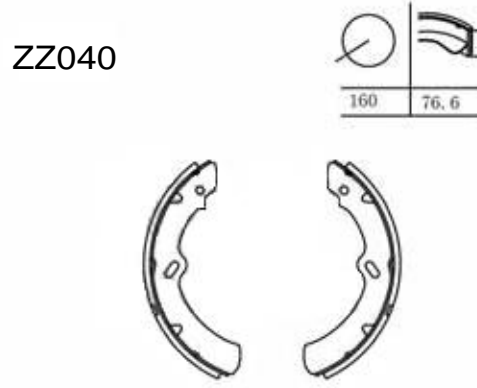
ZZ 008


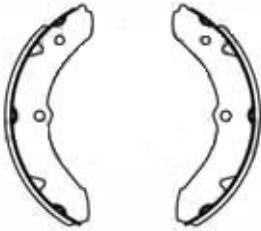
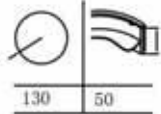
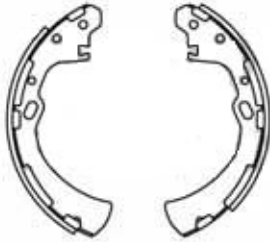
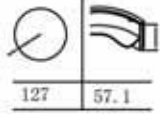
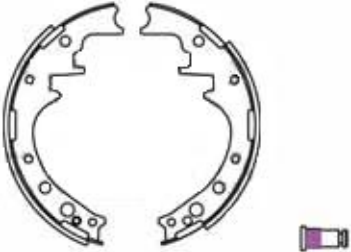
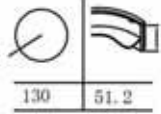


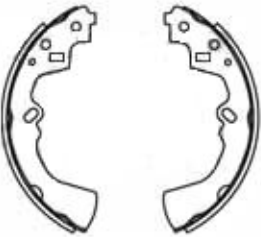

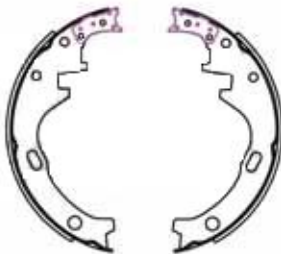








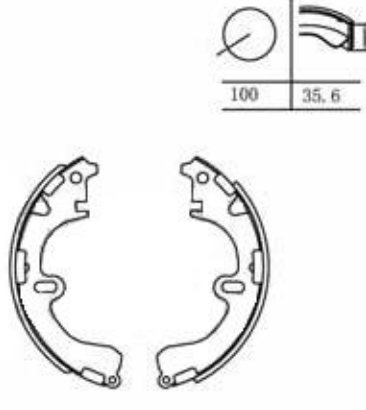
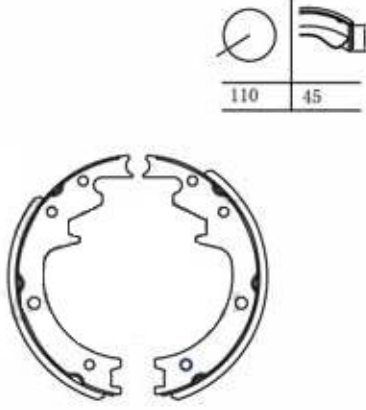
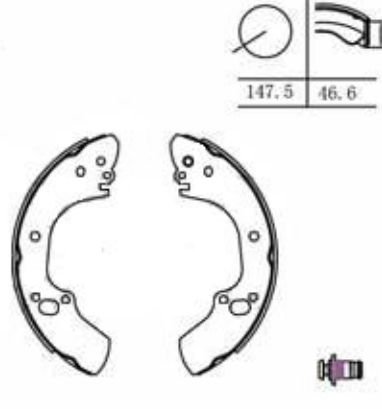
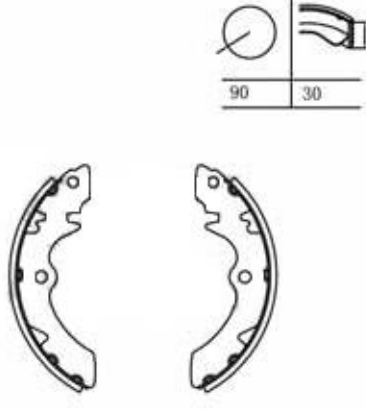
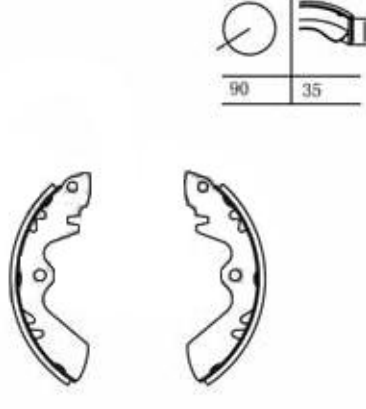
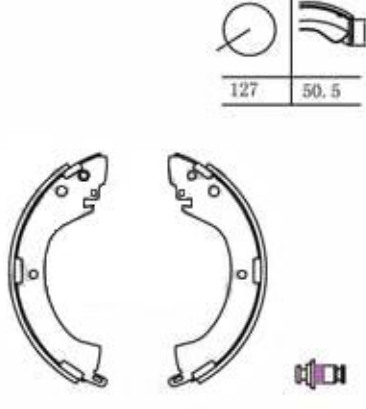
<p>ZZ 009</p> 	<p>ZZ 010</p> 
<p>ZZ 011</p> 	<p>ZZ 012</p> 
<p>ZZ 013</p> 	<p>ZZ 014</p> 
<p>ZZ 015</p> 	<p>ZZ 016</p> 

<p>ZZ 017</p> 	<p>ZZ 018</p> 
<p>ZZ 019</p> 	<p>ZZ 020</p> 
<p>ZZ 021</p> 	<p>ZZ 022</p> 
<p>ZZ 023</p> 	<p>ZZ 024</p> 

<p>ZZ025</p>  	<p>ZZ026</p>  
<p>ZZ027</p>  	<p>ZZ028</p>  
<p>ZZ029</p>  	<p>ZZ030</p>  
<p>ZZ031</p>  	<p>ZZ032</p>  

<p>ZZ 033</p> 	<p>ZZ 034</p> 
<p>ZZ 035</p> 	<p>ZZ 036</p> 
<p>ZZ 037</p> 	<p>ZZ 038</p> 
<p>ZZ 039</p> 	<p>ZZ040</p> 

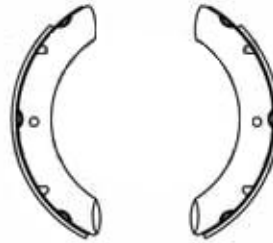
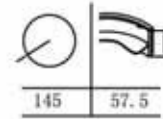
<p>ZZ 041</p>  	<p>ZZ 042</p>  
<p>ZZ 043</p>  	<p>ZZ 044</p>  
<p>ZZ 045</p>  	<p>ZZ 046</p>  
<p>ZZ 047</p>  	<p>ZZ 048</p>  

<p>ZZ 049</p> 	<p>ZZ 050</p> 
<p>ZZ 051</p> 	<p>ZZ 052</p> 
<p>ZZ 053</p> 	<p>ZZ 054</p> 
<p>ZZ 055</p> 	<p>ZZ 056</p> 

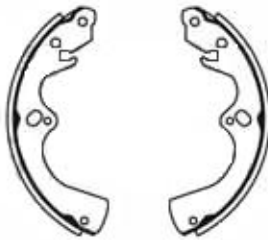
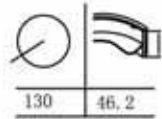
ZZ057



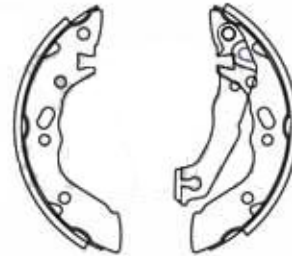
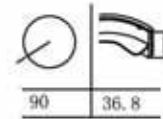
ZZ058



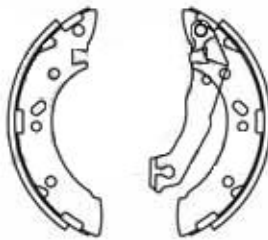
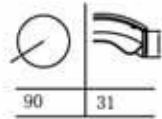
ZZ059



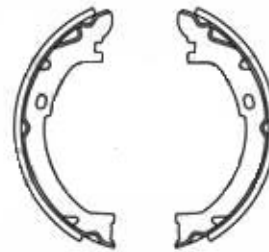
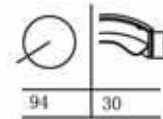
ZZ060



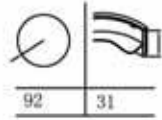
ZZ061



ZZ062



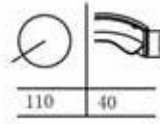
ZZ063



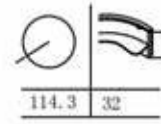
ZZ064



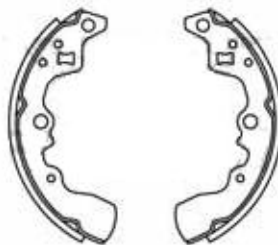
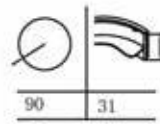
ZZ 065



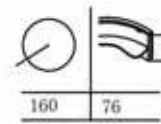
ZZ 066



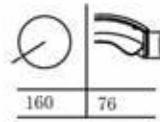
ZZ 067



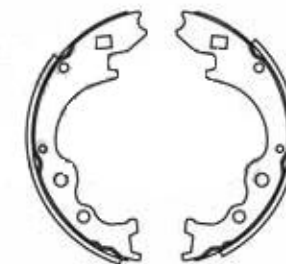
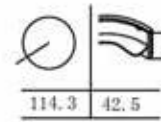
ZZ 068



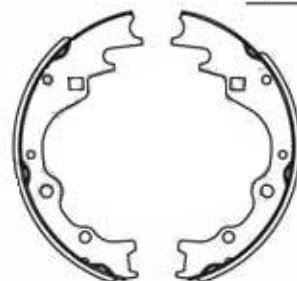
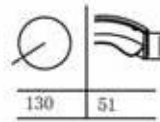
ZZ 069



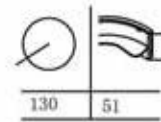
ZZ 070



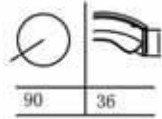
ZZ 071



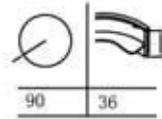
ZZ 072



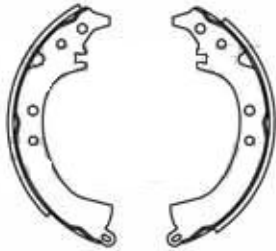
ZZ073



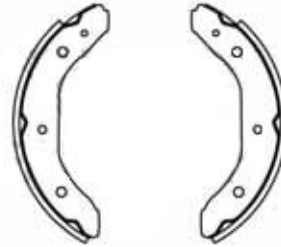
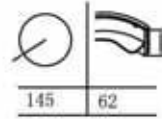
ZZ074



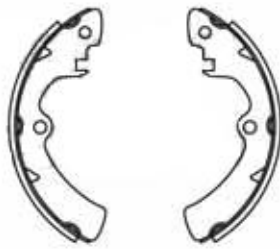
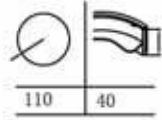
ZZ 075



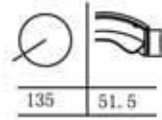
ZZ 076



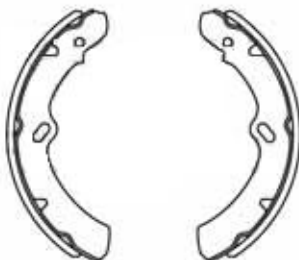
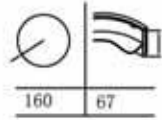
ZZ 077



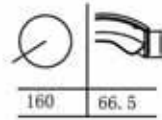
ZZ 078

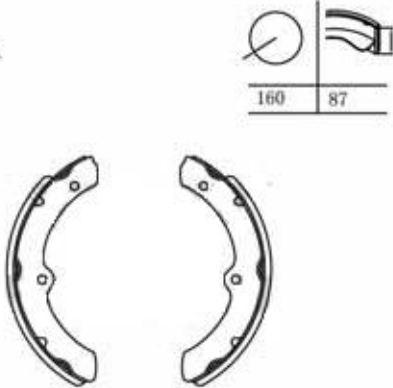

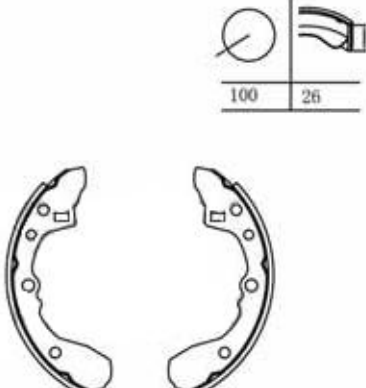
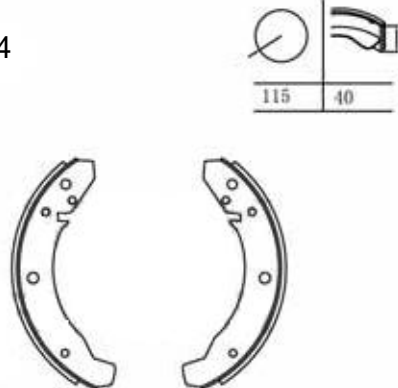
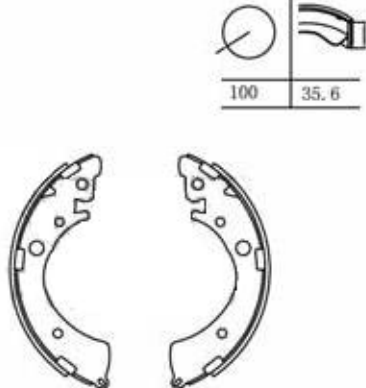

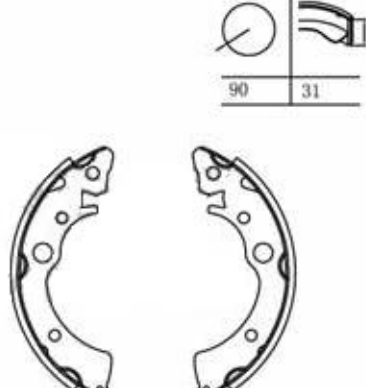
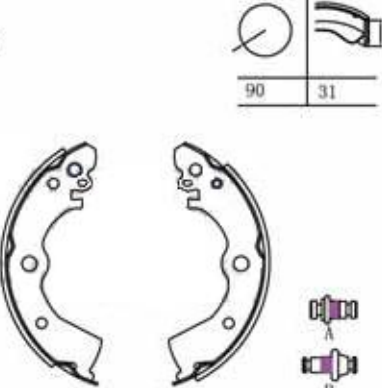


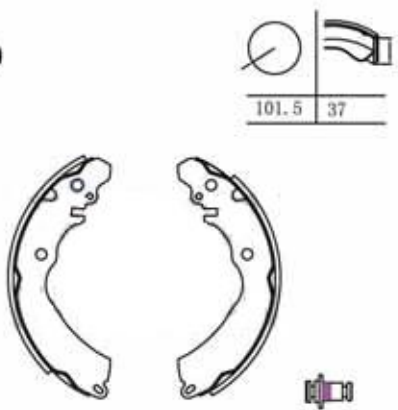
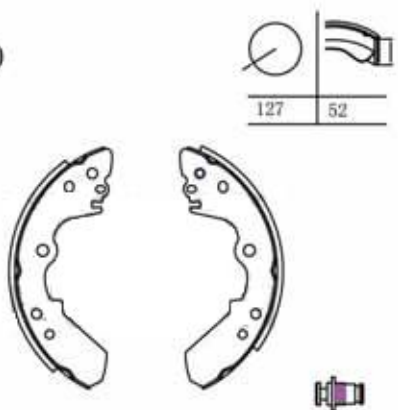
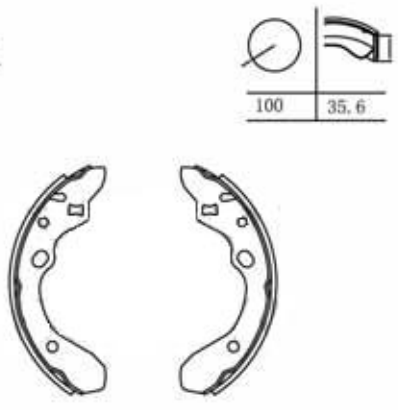
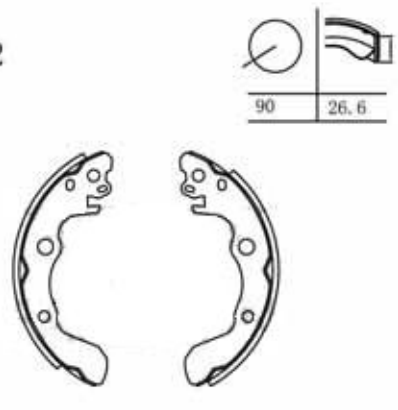
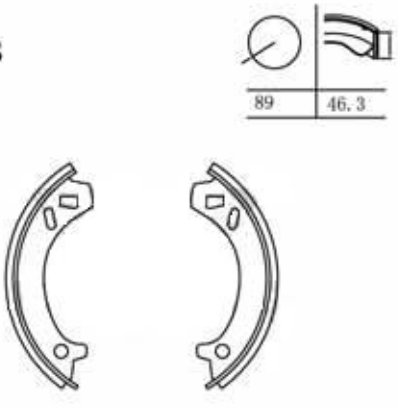
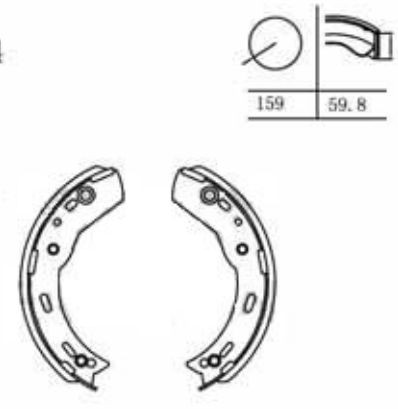
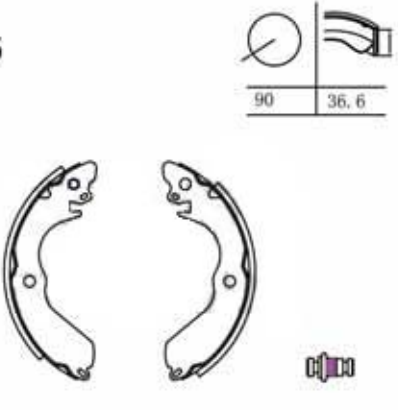
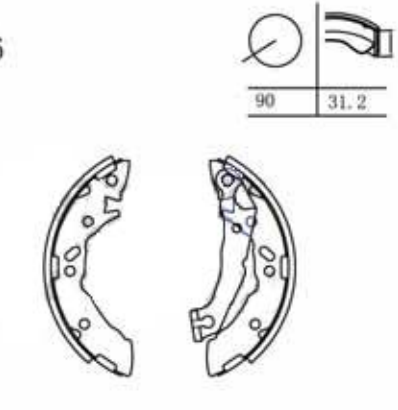
ZZ 079



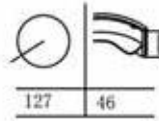
ZZ 080



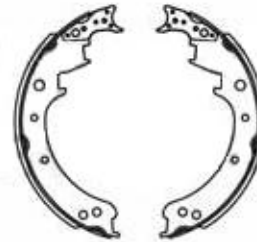
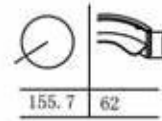
<p>zz 081</p> 	<p>zz 082</p> 
<p>zz 083</p> 	<p>zz084</p> 
<p>zz 085</p> 	<p>zz 086</p> 
<p>zz 087</p> 	<p>zz 088</p> 

<p>ZZ 089</p>  <p>101.5 37</p>	<p>ZZ 090</p>  <p>127 52</p>
<p>ZZ 091</p>  <p>100 35.6</p>	<p>ZZ 092</p>  <p>90 26.6</p>
<p>ZZ 093</p>  <p>89 46.3</p>	<p>ZZ 094</p>  <p>159 59.8</p>
<p>ZZ 095</p>  <p>90 36.6</p>	<p>ZZ 096</p>  <p>90 31.2</p>

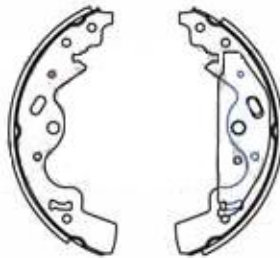
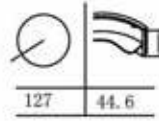
ZZ 097



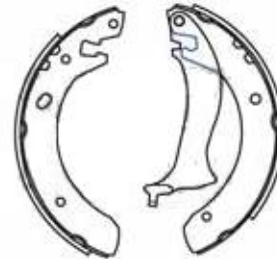
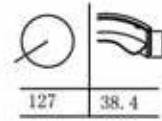
ZZ 098



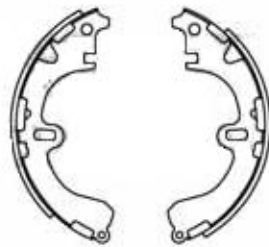
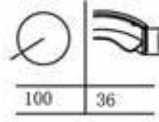
ZZ 099



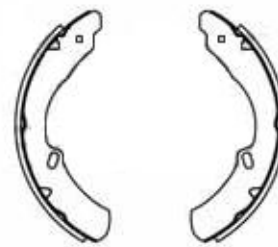
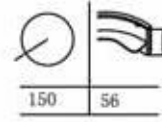
ZZ 100



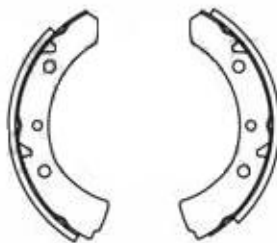
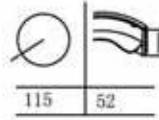
ZZ 101



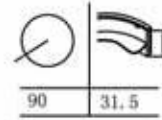
ZZ 102



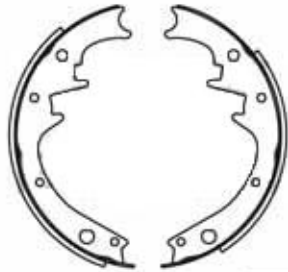
ZZ 103



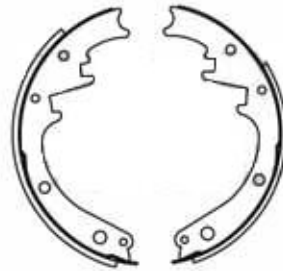
ZZ 104



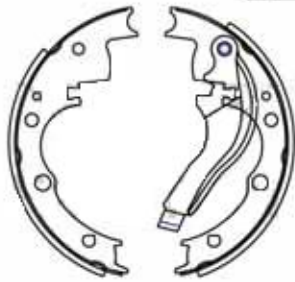
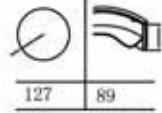
zz105



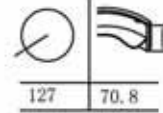
zz 106



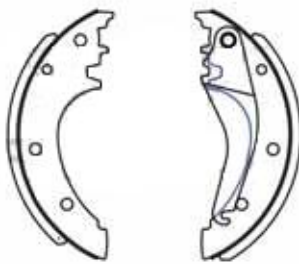
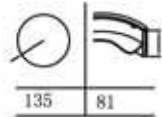
zz 107



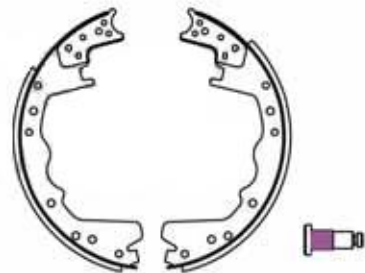
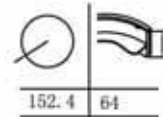
zz 108



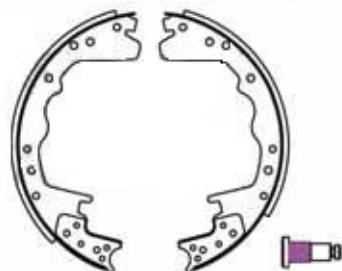
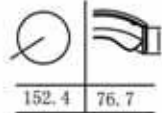
zz 109



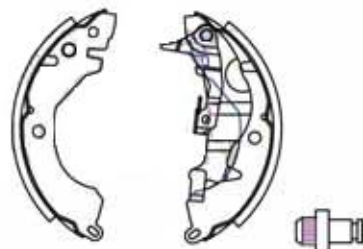
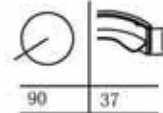
zz 110

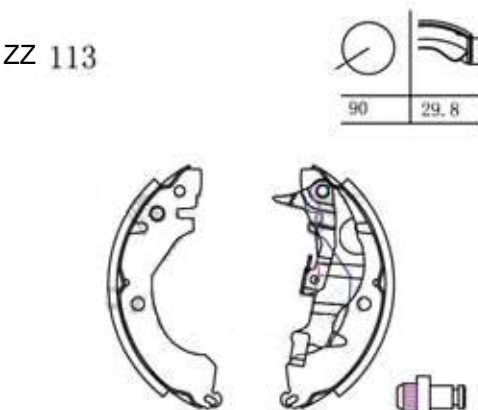













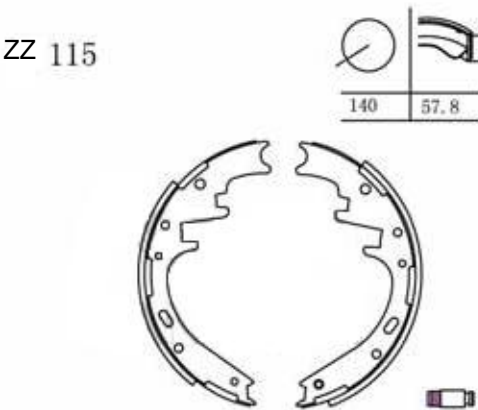




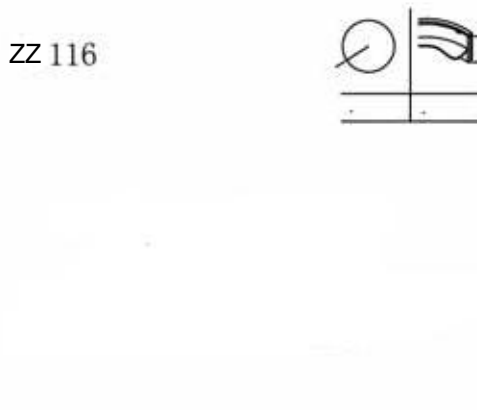








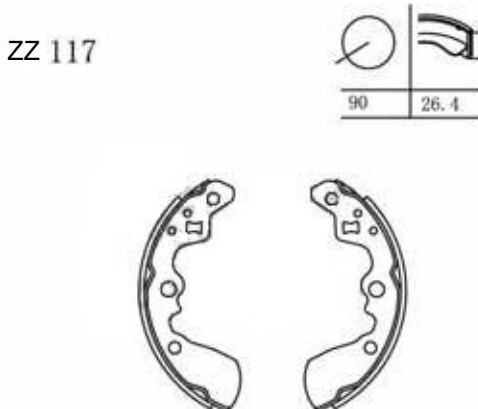




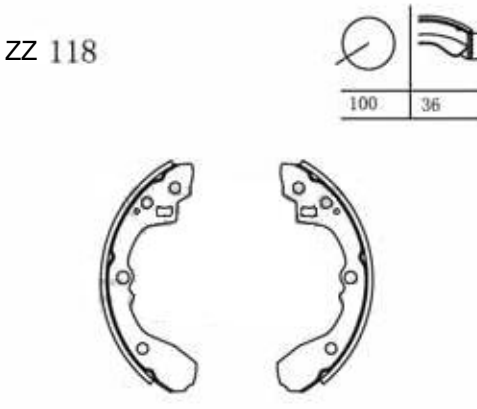








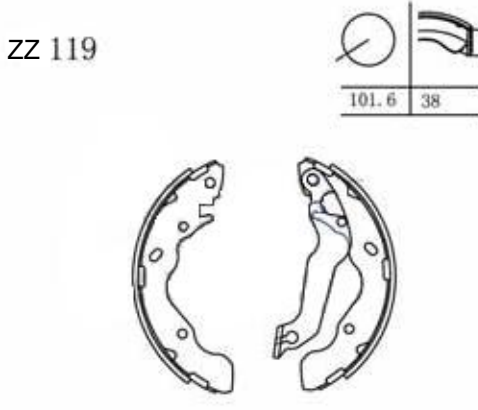




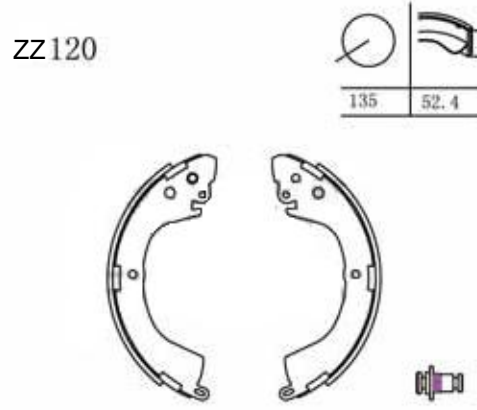










zz 111

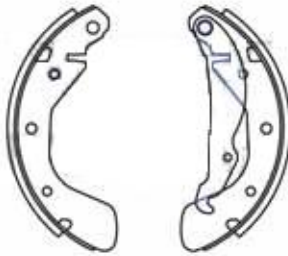
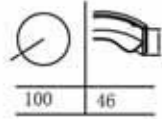


zz 112

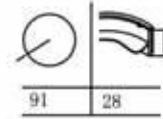


<p>ZZ 113</p>  <table border="1" data-bbox="654 215 798 323"> <tr> <td></td> <td></td> </tr> <tr> <td>90</td> <td>29.8</td> </tr> </table>			90	29.8	<p>ZZ 114</p>  <table border="1" data-bbox="1212 215 1356 323"> <tr> <td></td> <td></td> </tr> <tr> <td>125</td> <td>57.3</td> </tr> </table>			125	57.3
									
90	29.8								
									
125	57.3								
<p>ZZ 115</p>  <table border="1" data-bbox="654 689 798 797"> <tr> <td></td> <td></td> </tr> <tr> <td>140</td> <td>57.8</td> </tr> </table>			140	57.8	<p>ZZ 116</p>  <table border="1" data-bbox="1212 689 1356 797"> <tr> <td></td> <td></td> </tr> <tr> <td>-</td> <td>-</td> </tr> </table>			-	-
									
140	57.8								
									
-	-								
<p>ZZ 117</p>  <table border="1" data-bbox="654 1164 798 1272"> <tr> <td></td> <td></td> </tr> <tr> <td>90</td> <td>26.4</td> </tr> </table>			90	26.4	<p>ZZ 118</p>  <table border="1" data-bbox="1212 1164 1356 1272"> <tr> <td></td> <td></td> </tr> <tr> <td>100</td> <td>36</td> </tr> </table>			100	36
									
90	26.4								
									
100	36								
<p>ZZ 119</p>  <table border="1" data-bbox="654 1638 798 1746"> <tr> <td></td> <td></td> </tr> <tr> <td>101.6</td> <td>38</td> </tr> </table>			101.6	38	<p>ZZ120</p>  <table border="1" data-bbox="1212 1638 1356 1746"> <tr> <td></td> <td></td> </tr> <tr> <td>135</td> <td>52.4</td> </tr> </table>			135	52.4
									
101.6	38								
									
135	52.4								

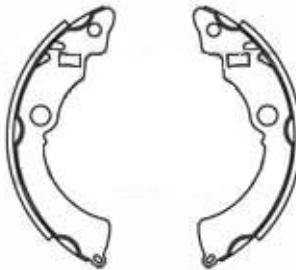
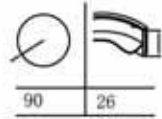
ZZ 121



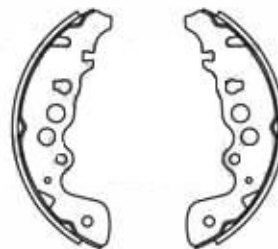
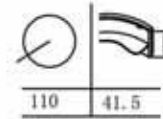
ZZ 122



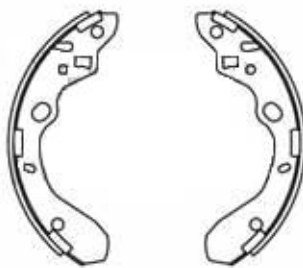
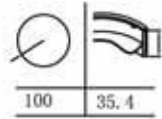
ZZ 123



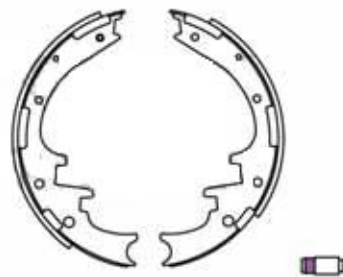
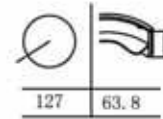
ZZ 124



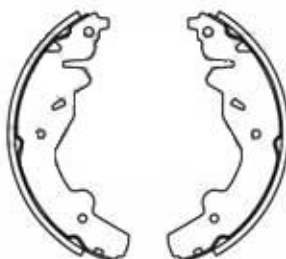
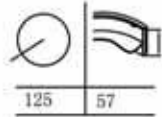
ZZ 125



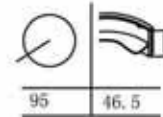
ZZ 126

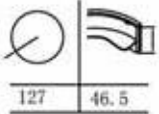
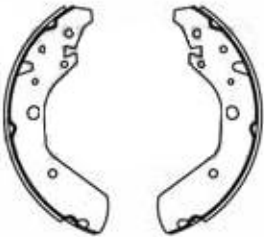
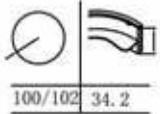
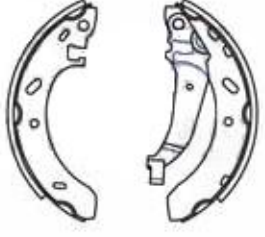


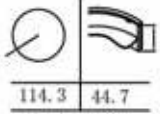
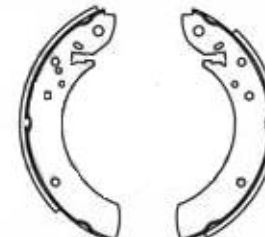



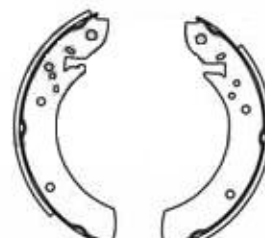
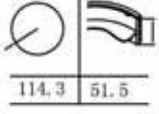

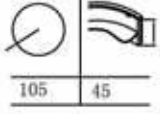




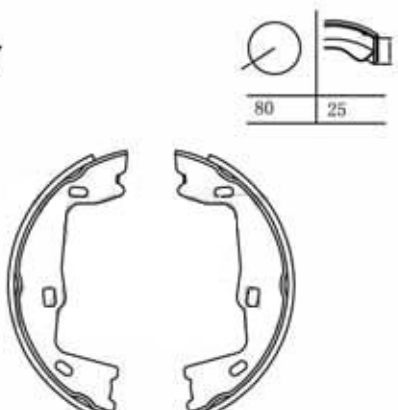
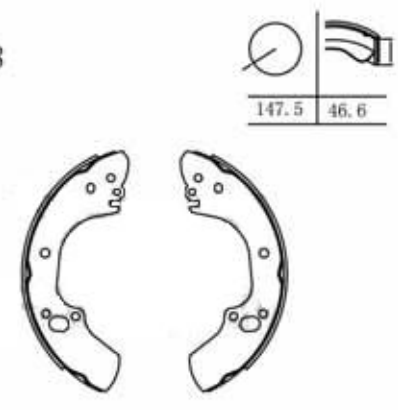
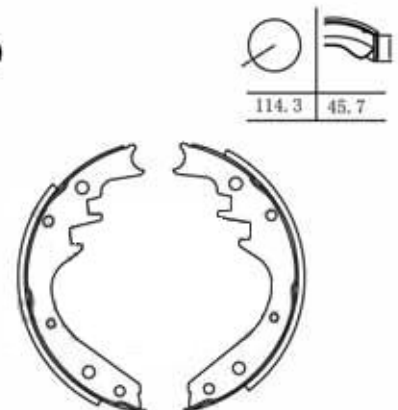
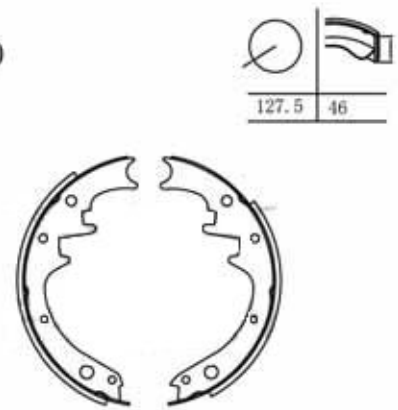

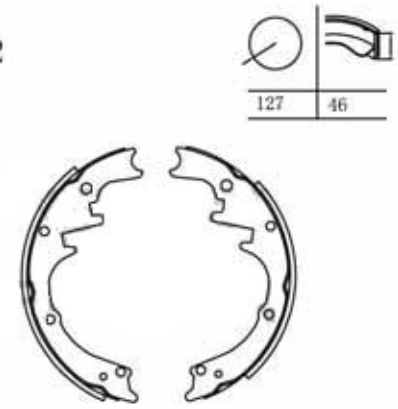


ZZ 127

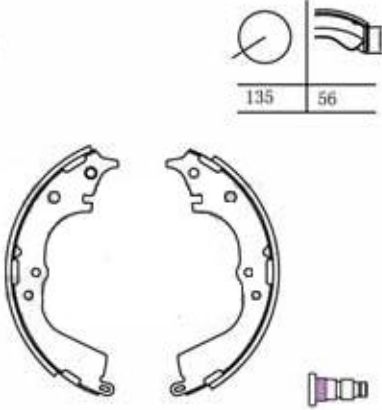

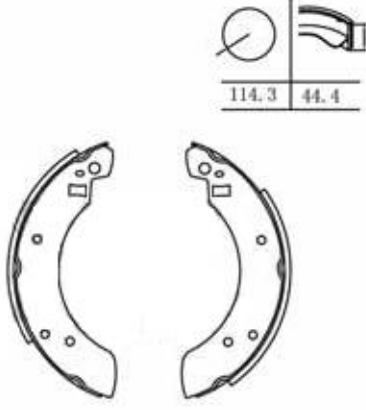

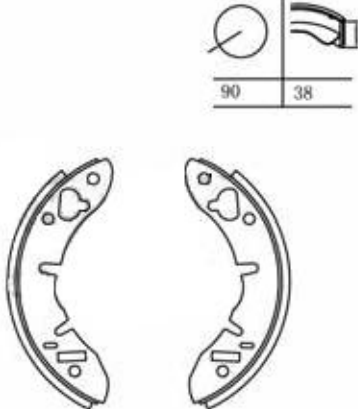
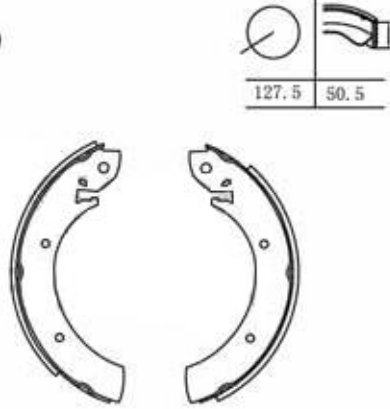

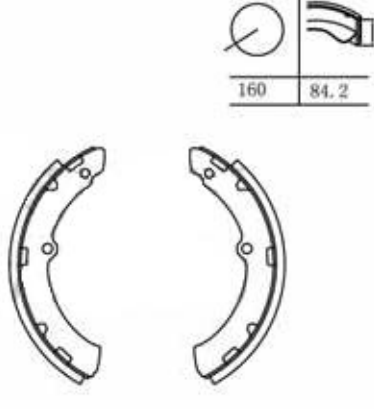


ZZ 128

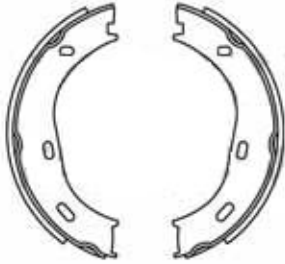
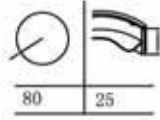


<p>ZZ 129</p>  	<p>ZZ 130</p>  
<p>ZZ 131</p>  	<p>ZZ132</p>  
<p>ZZ 133</p>  	<p>ZZ 134</p>  
<p>ZZ 135</p>  	<p>ZZ 136</p>   

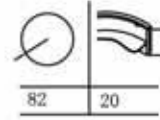
<p>ZZ 137</p>  <p>80 25</p>	<p>ZZ 138</p>  <p>147.5 46.6</p>
<p>ZZ 139</p>  <p>114.3 45.7</p>	<p>ZZ140</p>  <p>127.5 46</p>
<p>ZZ 141</p>  <p>127 58.5</p>	<p>ZZ 142</p>  <p>127 46</p>
<p>ZZ 143</p>  <p>114.3 45</p>	<p>ZZ 144</p>  <p>100.7 37</p>

<p>ZZ 145</p> 	<p>ZZ 146</p> 
<p>ZZ 147</p> 	<p>ZZ148</p> 
<p>ZZ 149</p> 	<p>ZZ 150</p> 
<p>ZZ 151</p> 	<p>ZZ 152</p> 

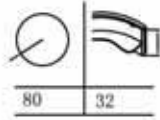
ZZ153



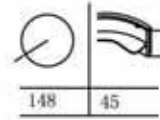
ZZ 154



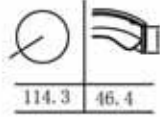
ZZ 155



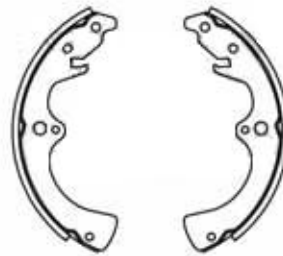
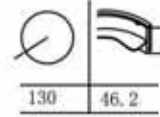
ZZ 156



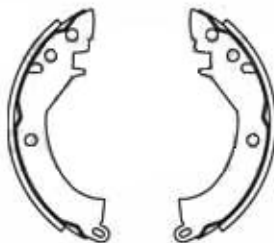
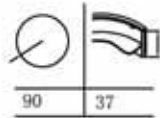
ZZ 157



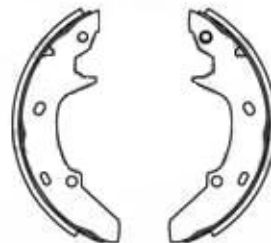
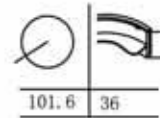
ZZ 158

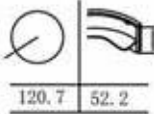

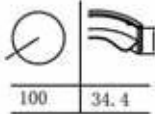
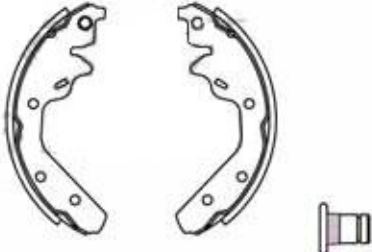
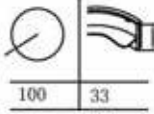
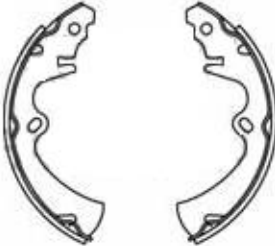
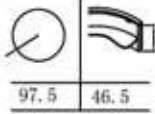
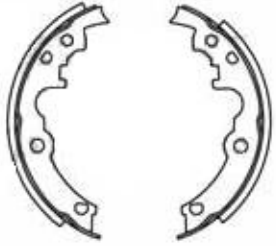
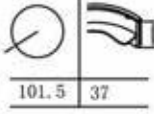
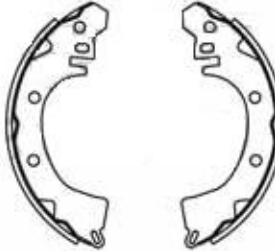
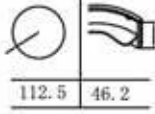
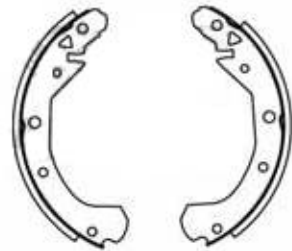
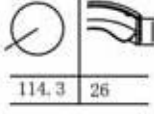
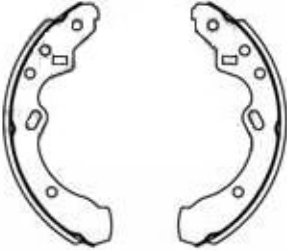
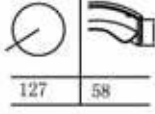
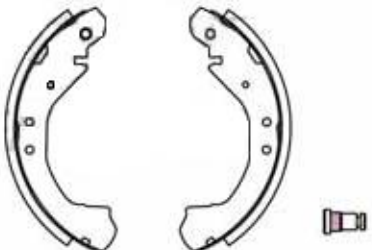


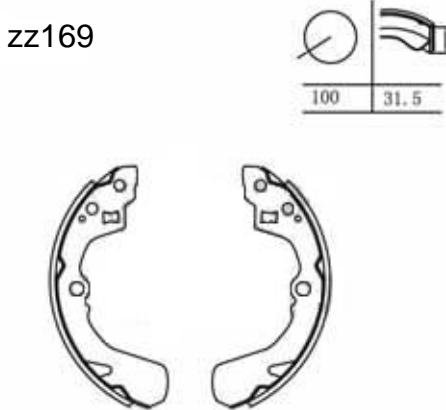
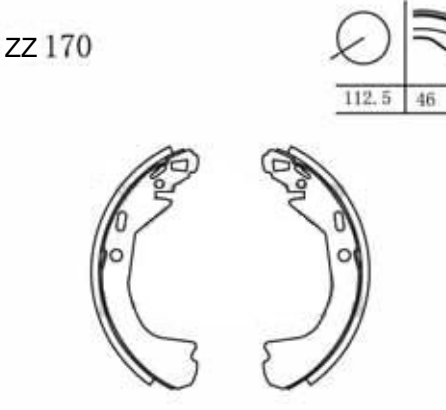
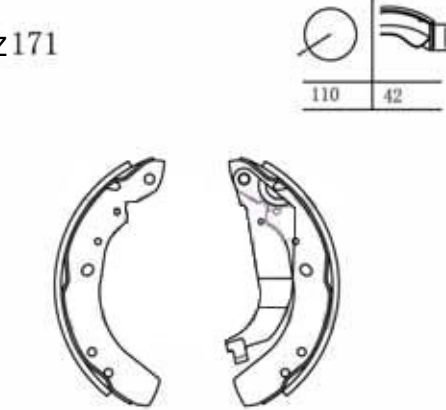

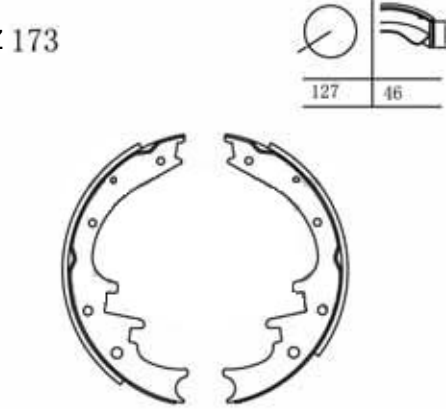
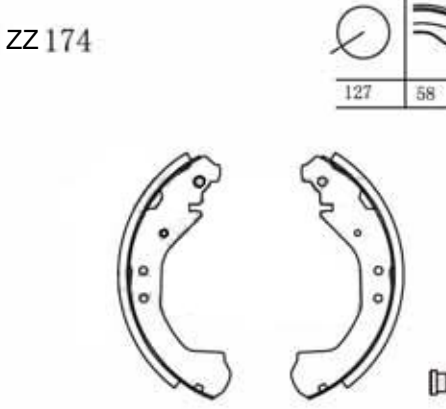
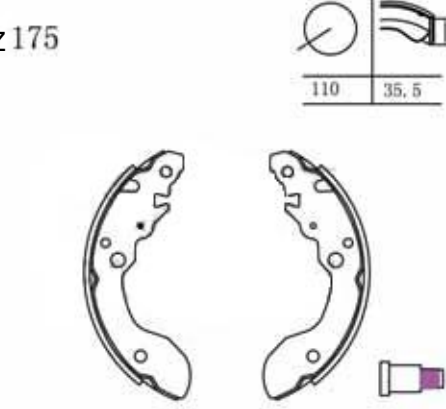
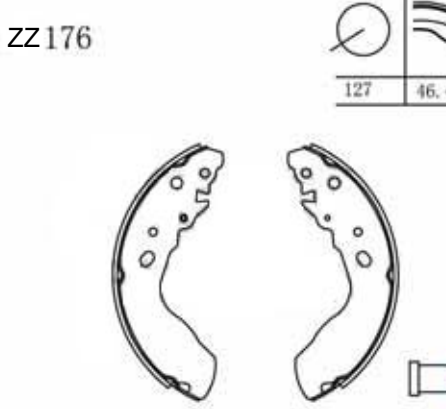
ZZ 159



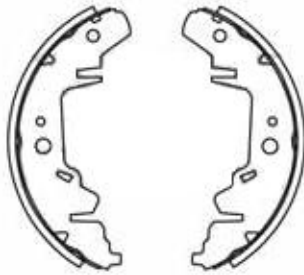
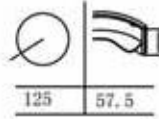
ZZ 160



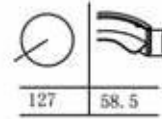
<p>ZZ 161</p>  	<p>ZZ 162</p>  
<p>ZZ 163</p>  	<p>ZZ164</p>  
<p>ZZ 165</p>  	<p>ZZ 166</p>  
<p>ZZ 167</p>  	<p>ZZ 168</p>  

<p>zz169</p> 	<p>zz 170</p> 
<p>zz171</p> 	<p>zz 172</p> 
<p>zz 173</p> 	<p>zz 174</p> 
<p>zz 175</p> 	<p>zz176</p> 

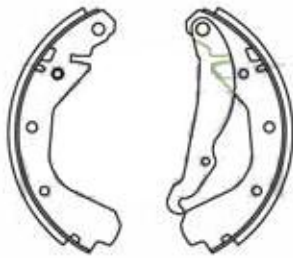
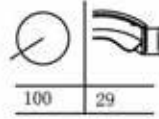
ZZ177



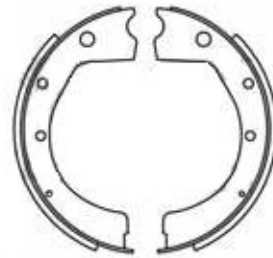
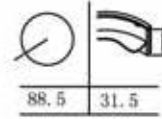
ZZ 178



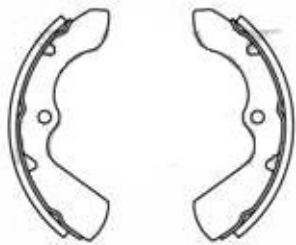
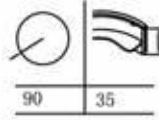
ZZ179



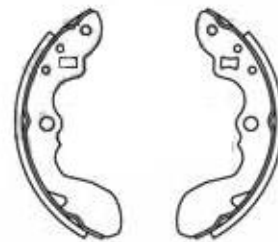
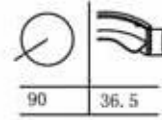
ZZ 180



ZZ181



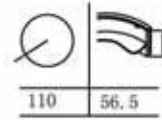
ZZ 182

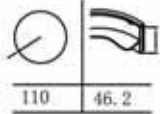

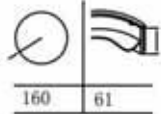

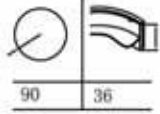

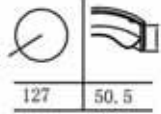
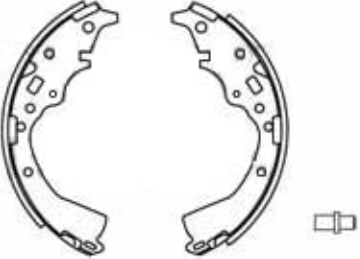

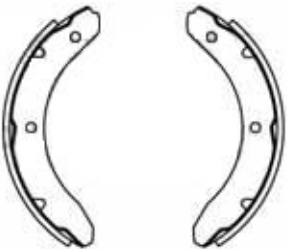
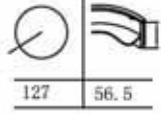

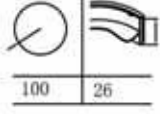
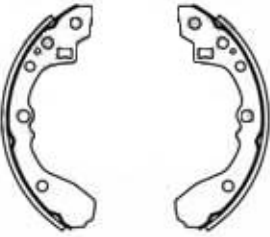
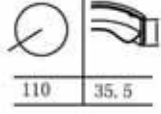
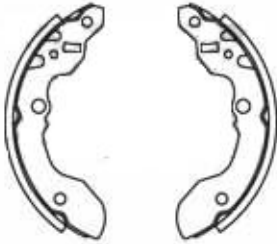


ZZ183

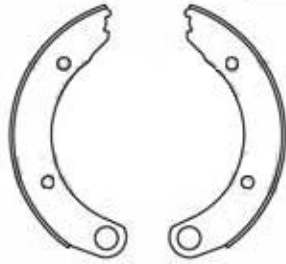
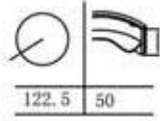


ZZ 184

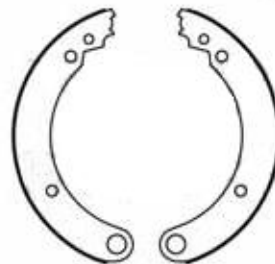
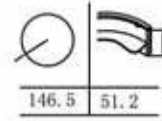


<p>ZZ 185</p>  	<p>ZZ 186</p>  
<p>zz187</p>  	<p>ZZ 188</p>  
<p>ZZ 189</p>  	<p>ZZ 190</p>  
<p>ZZ 191</p>  	<p>ZZ192</p>  

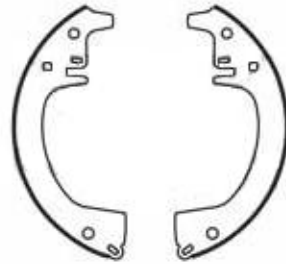
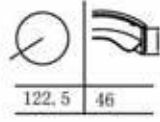
ZZ193



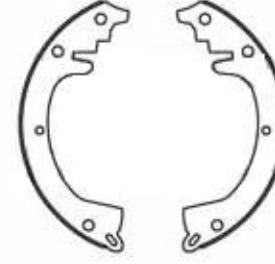
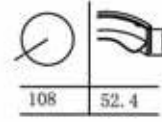
ZZ 194



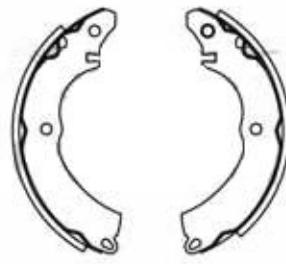
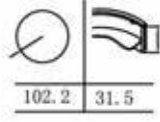
ZZ 195



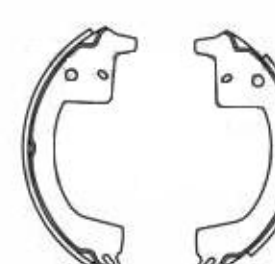
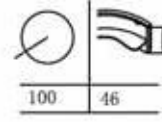
ZZ 196



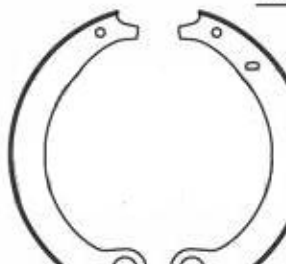
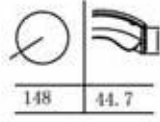
ZZ 197



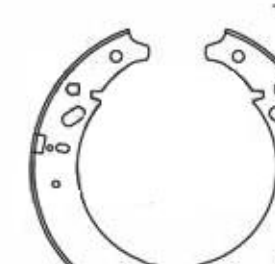
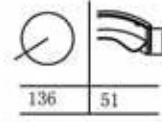
ZZ 198

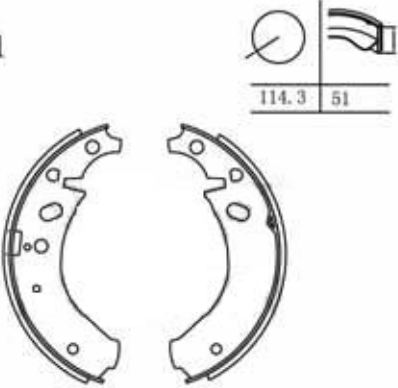
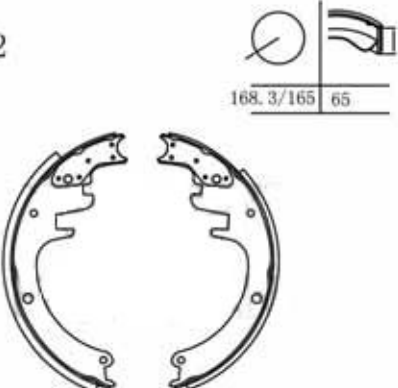
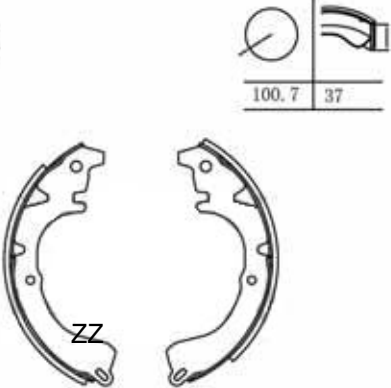
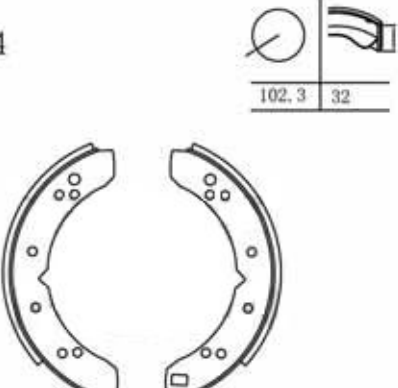
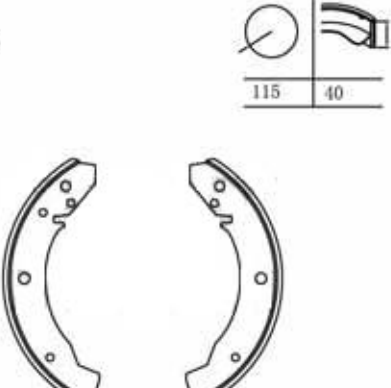
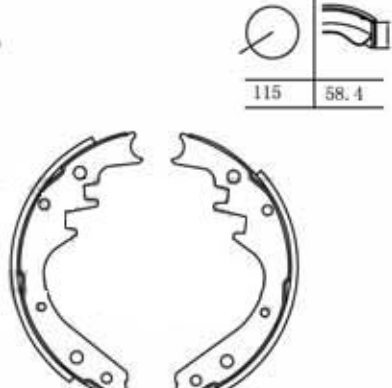





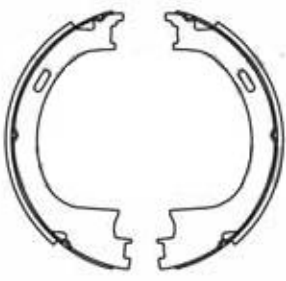
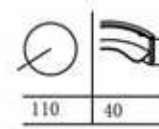

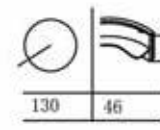
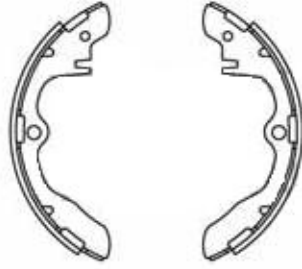
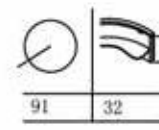
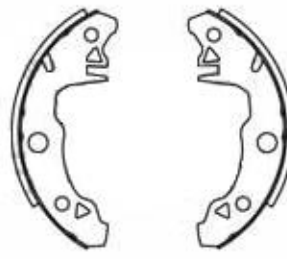


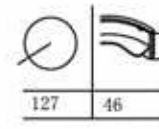

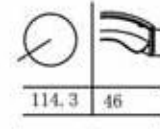

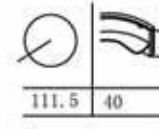
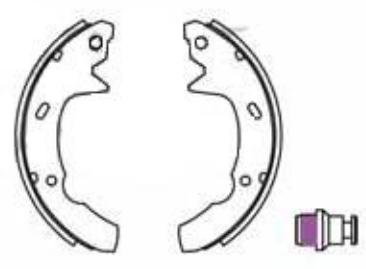
ZZ 199



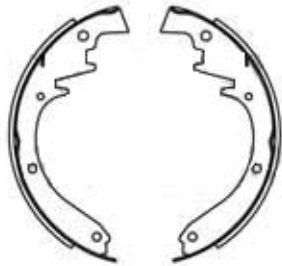
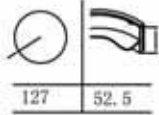
ZZ 200



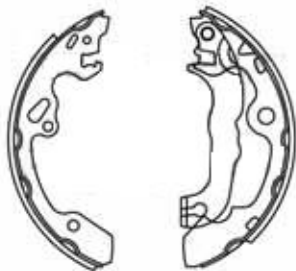
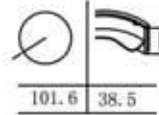
<p>ZZ 201</p>  <table border="1" data-bbox="574 226 730 340"> <tr> <td></td> <td></td> </tr> <tr> <td>114.3</td> <td>51</td> </tr> </table>			114.3	51	<p>ZZ 202</p>  <table border="1" data-bbox="1117 226 1289 340"> <tr> <td></td> <td></td> </tr> <tr> <td>168.3/165</td> <td>65</td> </tr> </table>			168.3/165	65
114.3	51								
168.3/165	65								
<p>ZZ 203</p>  <table border="1" data-bbox="574 700 730 814"> <tr> <td></td> <td></td> </tr> <tr> <td>100.7</td> <td>37</td> </tr> </table> <p>zz</p>			100.7	37	<p>ZZ 204</p>  <table border="1" data-bbox="1117 700 1289 814"> <tr> <td></td> <td></td> </tr> <tr> <td>102.3</td> <td>32</td> </tr> </table>			102.3	32
100.7	37								
102.3	32								
<p>ZZ 205</p>  <table border="1" data-bbox="574 1175 730 1289"> <tr> <td></td> <td></td> </tr> <tr> <td>115</td> <td>40</td> </tr> </table>			115	40	<p>ZZ 206</p>  <table border="1" data-bbox="1117 1175 1289 1289"> <tr> <td></td> <td></td> </tr> <tr> <td>115</td> <td>58.4</td> </tr> </table>			115	58.4
115	40								
115	58.4								
<p>ZZ 207需加孔</p>  <table border="1" data-bbox="574 1649 730 1763"> <tr> <td></td> <td></td> </tr> <tr> <td>90</td> <td>32</td> </tr> </table>			90	32	<p>ZZ 208</p>  <table border="1" data-bbox="1117 1649 1289 1763"> <tr> <td></td> <td></td> </tr> <tr> <td>114.3</td> <td>46</td> </tr> </table>			114.3	46
90	32								
114.3	46								

<p>ZZ 209</p>  	<p>ZZ 210</p>  
<p>ZZ 211</p>  	<p>ZZ 212</p>  
<p>ZZ 213</p>  	<p>ZZ 214</p>  
<p>ZZ215</p>  	<p>ZZ216</p>  

ZZ 217



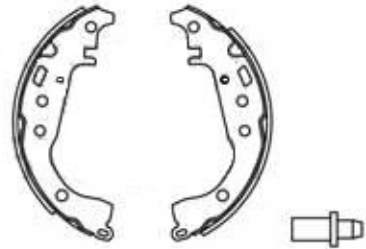
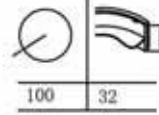
ZZ 218



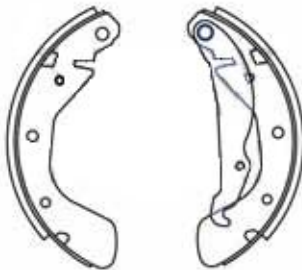
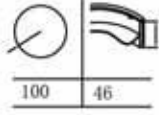
ZZ 219



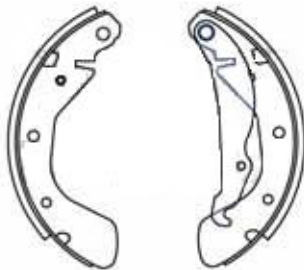
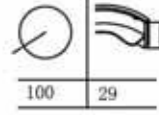
ZZ 220



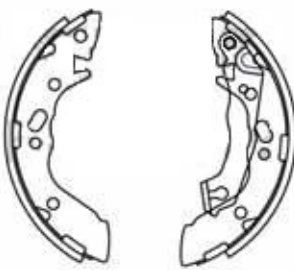
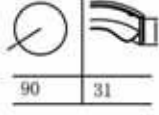
ZZ 221



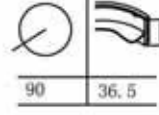
ZZ 222



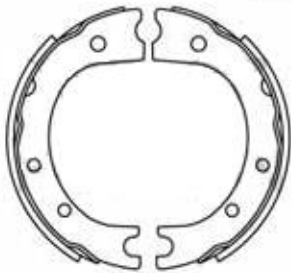
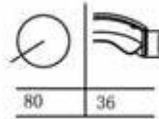
ZZ 223



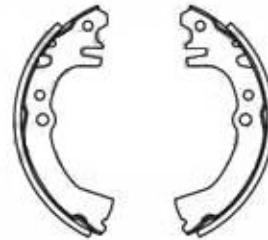
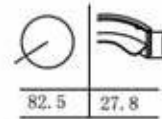
ZZ 224



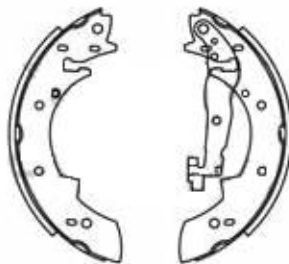
zz225



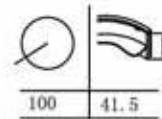
zz226



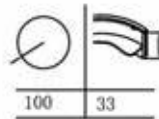
zz 227



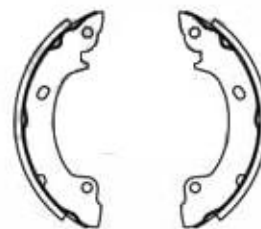
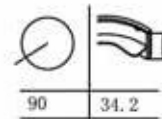
zz 228



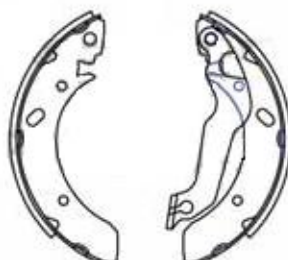
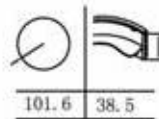
zz 229



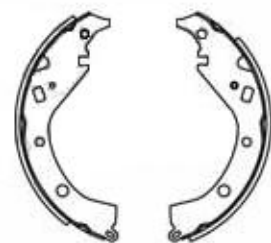
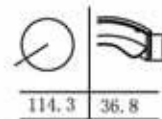
zz 230



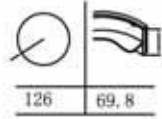
zz 231



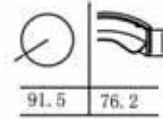
zz 232



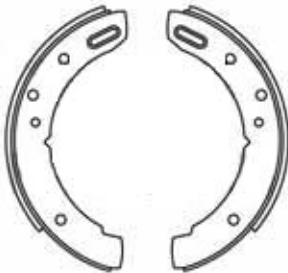
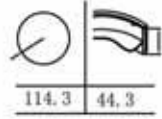
ZZ 233



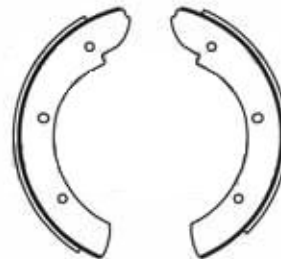
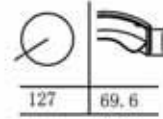
ZZ234



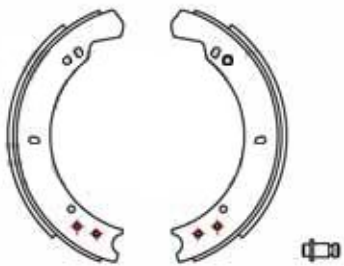
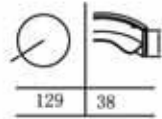
ZZ 235



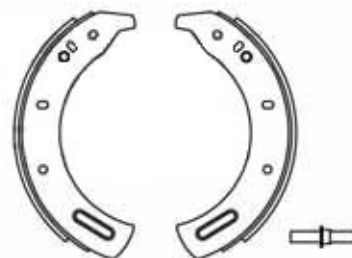
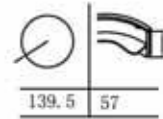
ZZ236



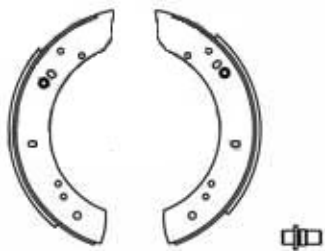
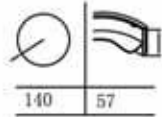
ZZ 237



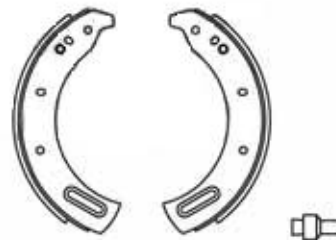
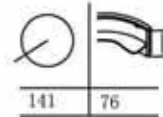
ZZ 238

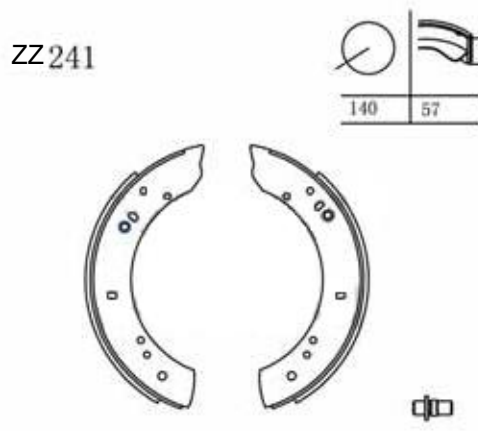
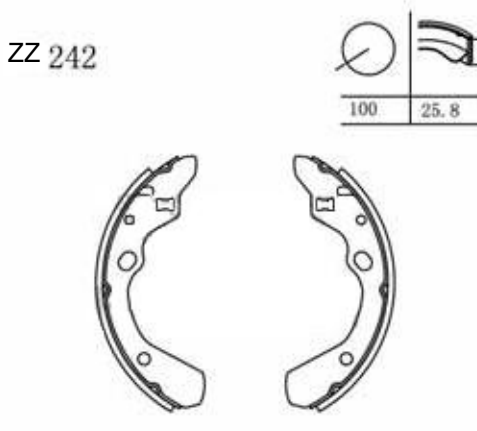
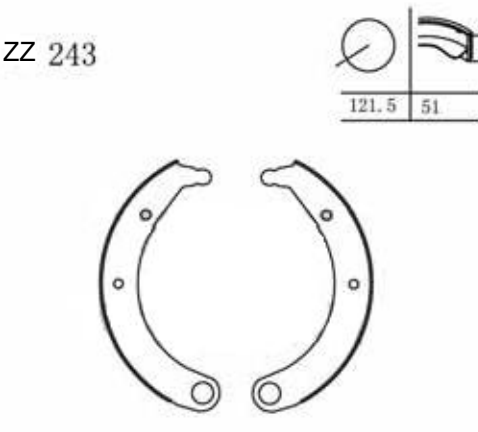
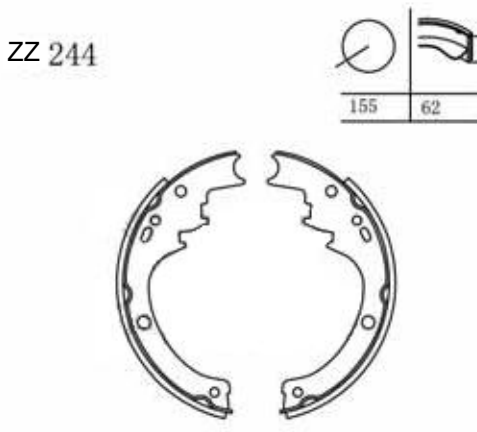
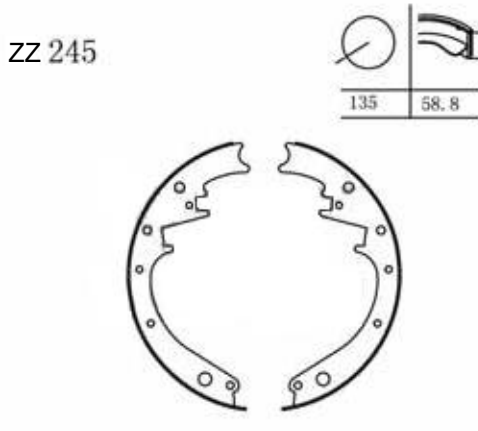
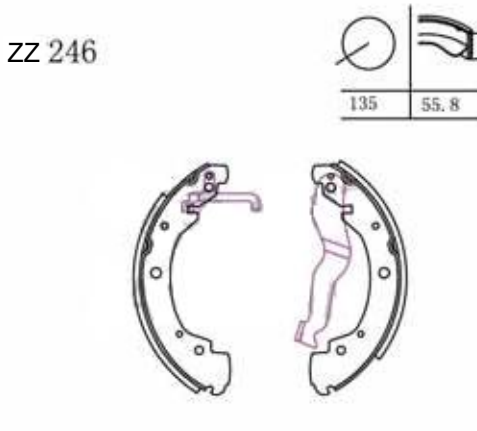
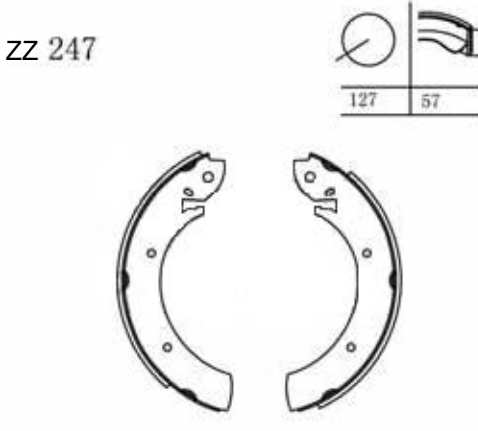
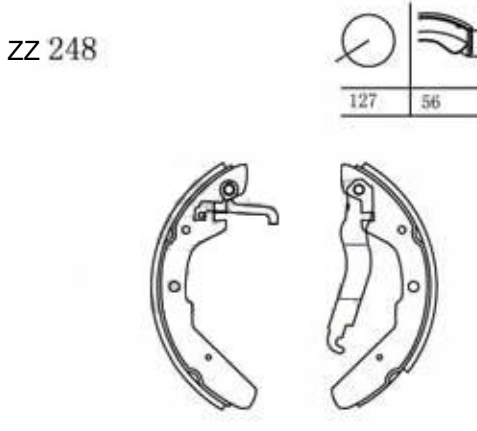


ZZ 239

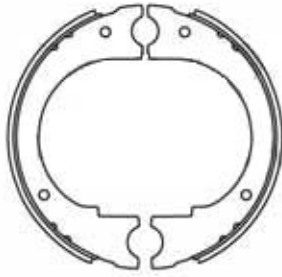
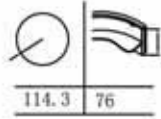


ZZ240

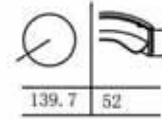


<p>ZZ 241</p>  <table border="1" data-bbox="638 215 798 344"> <tr> <td></td> <td></td> </tr> <tr> <td>140</td> <td>57</td> </tr> </table>			140	57	<p>ZZ 242</p>  <table border="1" data-bbox="1197 215 1356 344"> <tr> <td></td> <td></td> </tr> <tr> <td>100</td> <td>25.8</td> </tr> </table>			100	25.8
140	57								
100	25.8								
<p>ZZ 243</p>  <table border="1" data-bbox="638 689 798 819"> <tr> <td></td> <td></td> </tr> <tr> <td>121.5</td> <td>51</td> </tr> </table>			121.5	51	<p>ZZ 244</p>  <table border="1" data-bbox="1197 689 1356 819"> <tr> <td></td> <td></td> </tr> <tr> <td>155</td> <td>62</td> </tr> </table>			155	62
121.5	51								
155	62								
<p>ZZ 245</p>  <table border="1" data-bbox="638 1164 798 1293"> <tr> <td></td> <td></td> </tr> <tr> <td>135</td> <td>58.8</td> </tr> </table>			135	58.8	<p>ZZ 246</p>  <table border="1" data-bbox="1197 1164 1356 1293"> <tr> <td></td> <td></td> </tr> <tr> <td>135</td> <td>55.8</td> </tr> </table>			135	55.8
135	58.8								
135	55.8								
<p>ZZ 247</p>  <table border="1" data-bbox="638 1638 798 1767"> <tr> <td></td> <td></td> </tr> <tr> <td>127</td> <td>57</td> </tr> </table>			127	57	<p>ZZ 248</p>  <table border="1" data-bbox="1197 1638 1356 1767"> <tr> <td></td> <td></td> </tr> <tr> <td>127</td> <td>56</td> </tr> </table>			127	56
127	57								
127	56								

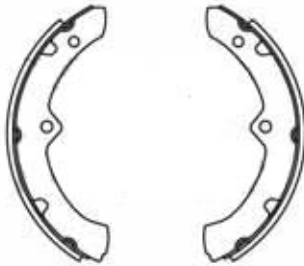
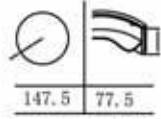
ZZ 249



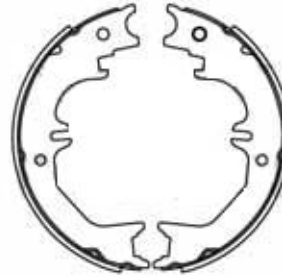
ZZ 250



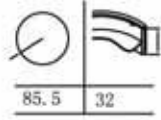
ZZ 251



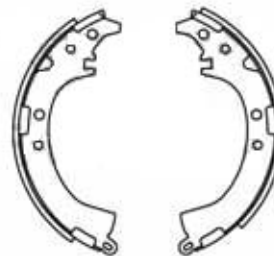
ZZ 252



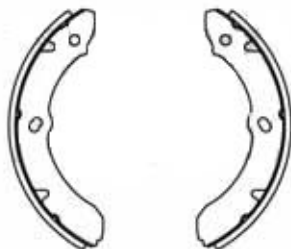
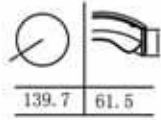
ZZ 253



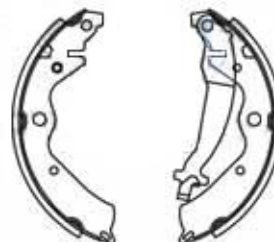
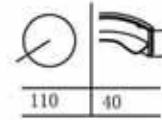
ZZ 254

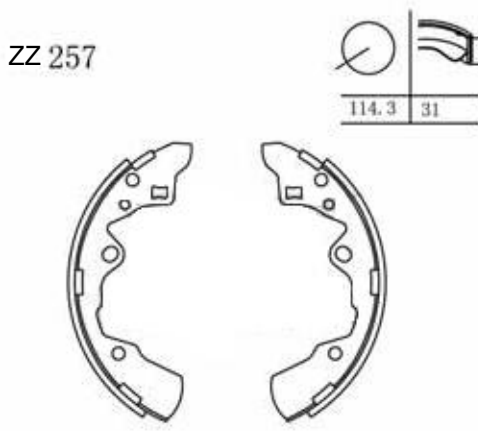
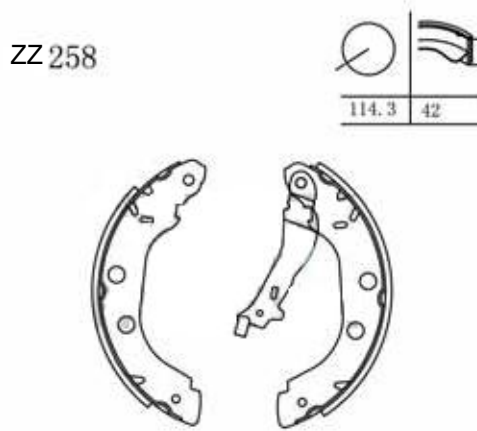
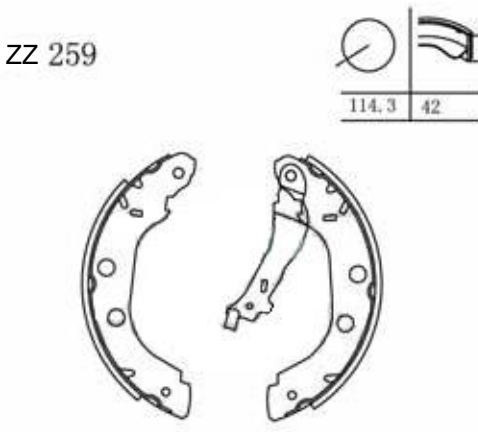
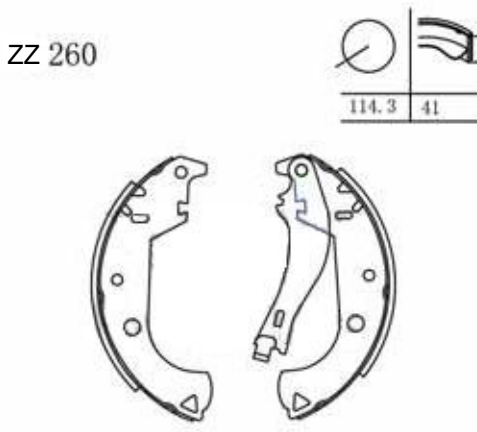
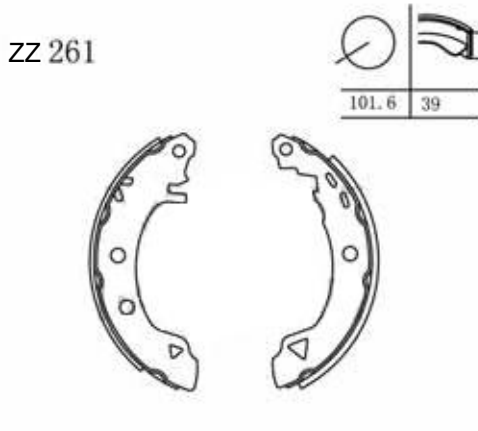
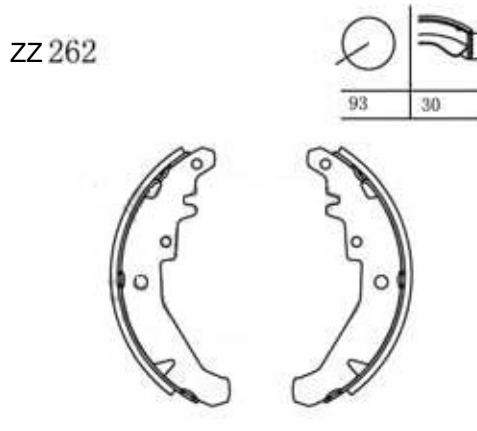
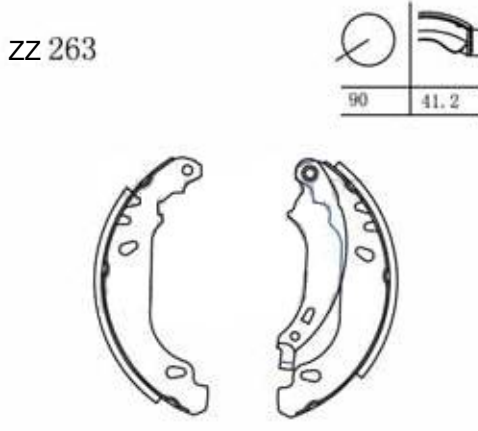
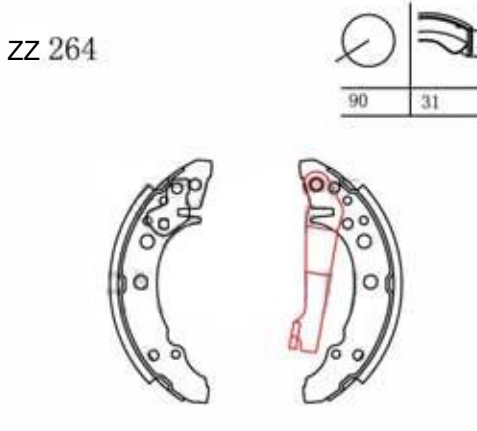


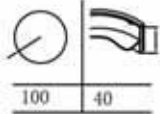
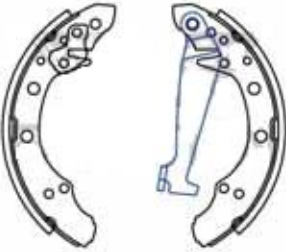
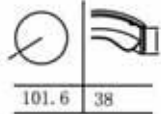
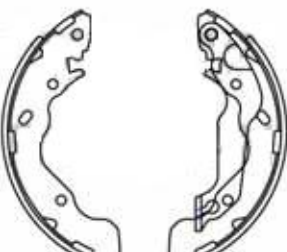
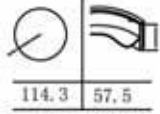
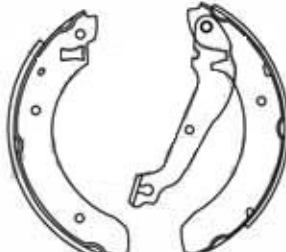

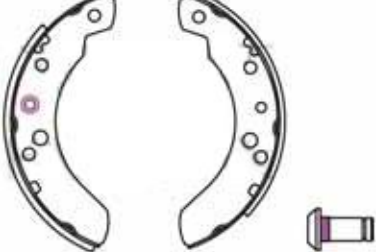
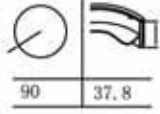
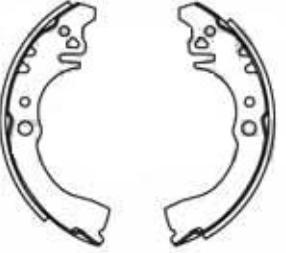
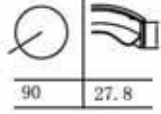
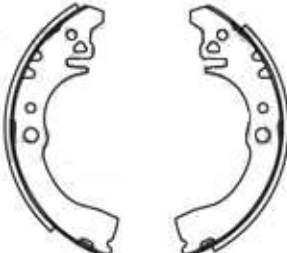
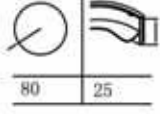
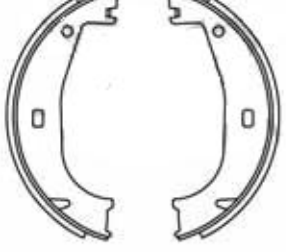
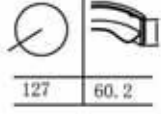
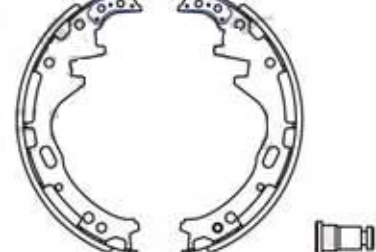
ZZ 255

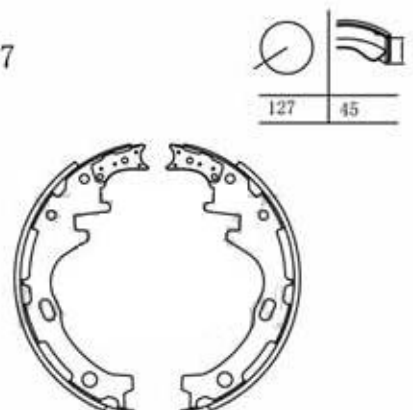
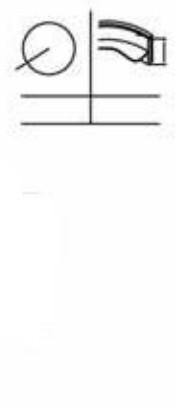
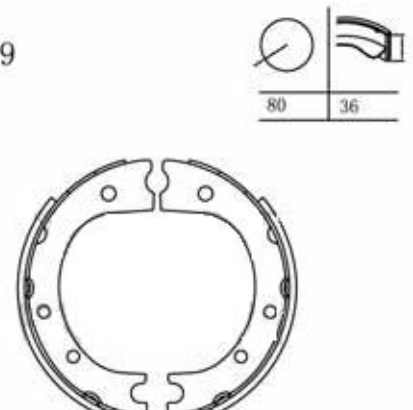

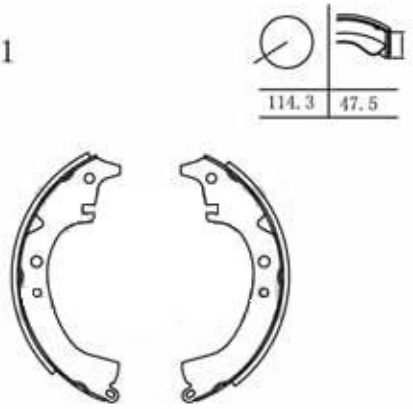
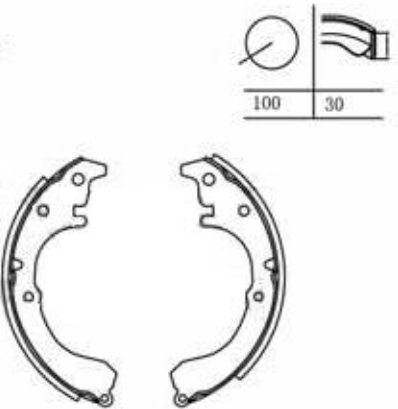




ZZ 256

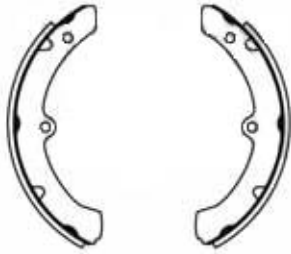


<p>ZZ 257</p> 	<p>ZZ 258</p> 
<p>ZZ 259</p> 	<p>ZZ 260</p> 
<p>ZZ 261</p> 	<p>ZZ 262</p> 
<p>ZZ 263</p> 	<p>ZZ 264</p> 

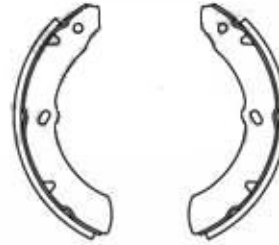
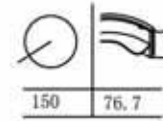
<p>zz 265</p>  	<p>zz 266</p>  
<p>zz 267</p>  	<p>zz268</p>  
<p>zz273</p>  	<p>zz274</p>  
<p>zz 275</p>  	<p>zz276</p>  

<p>ZZ 277</p> 	<p>ZZ 278</p> 
<p>ZZ 279</p> 	<p>ZZ 280</p> 
<p>ZZ 281</p> 	<p>ZZ 282</p> 
<p>ZZ 283</p> 	<p>ZZ 284</p> 

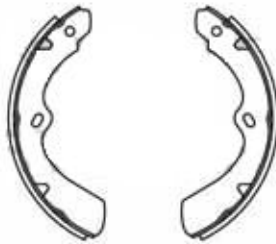
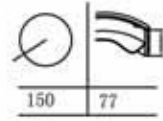
ZZ 285



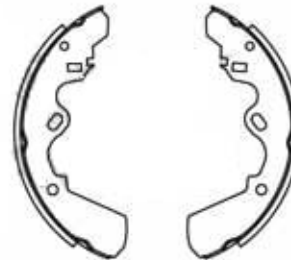
ZZ 286



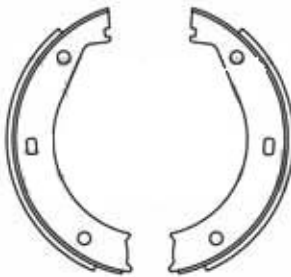
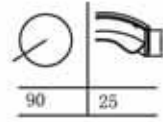
ZZ 287



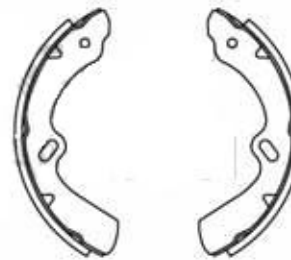
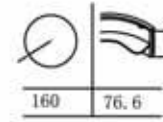
ZZ 288



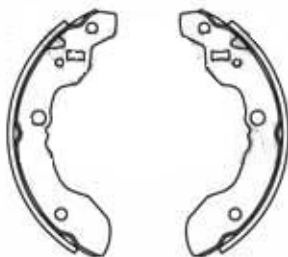
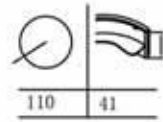
ZZ 289



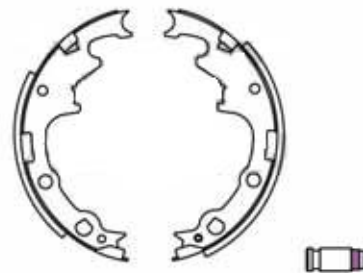
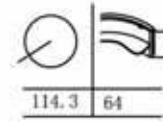
ZZ 290

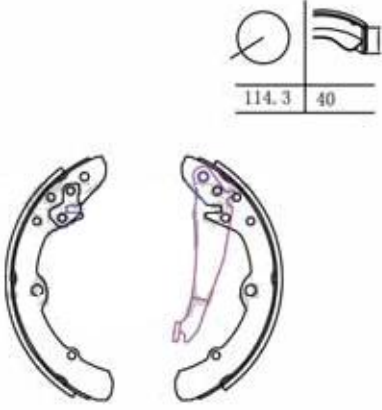
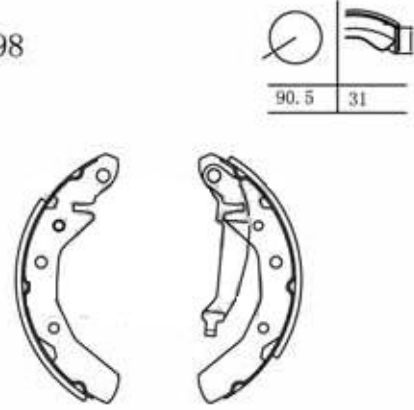
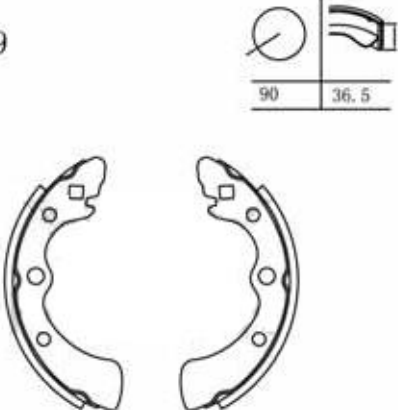
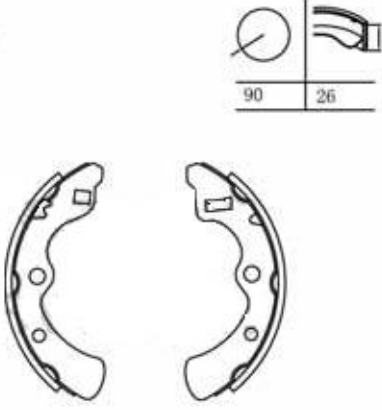
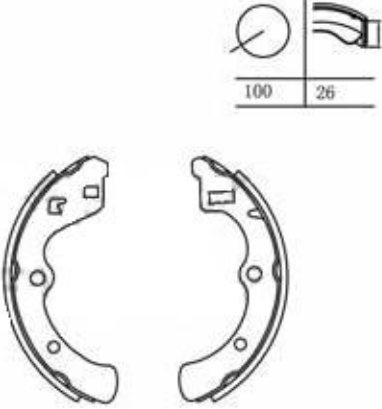

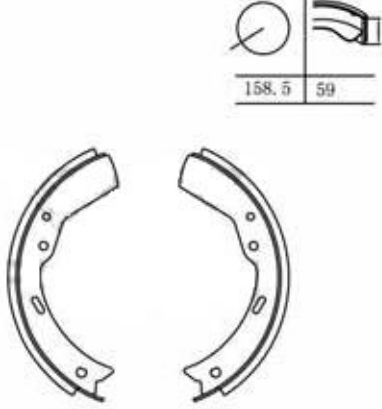
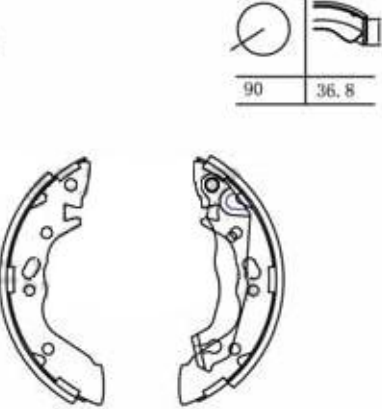


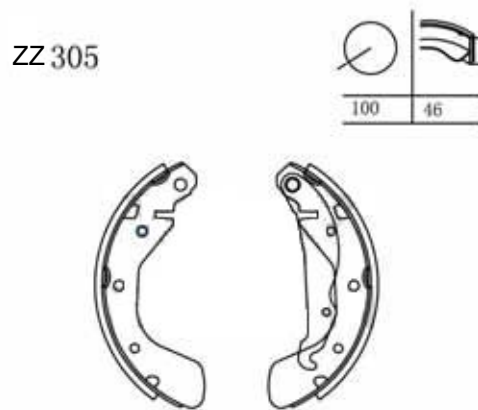
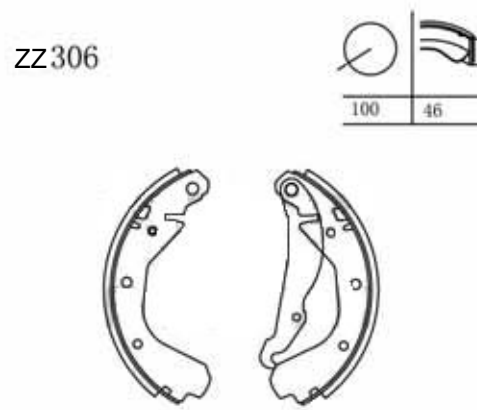
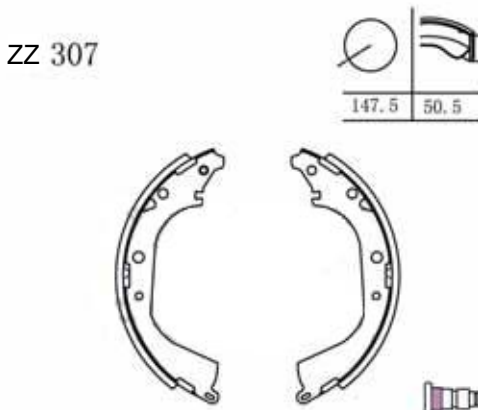
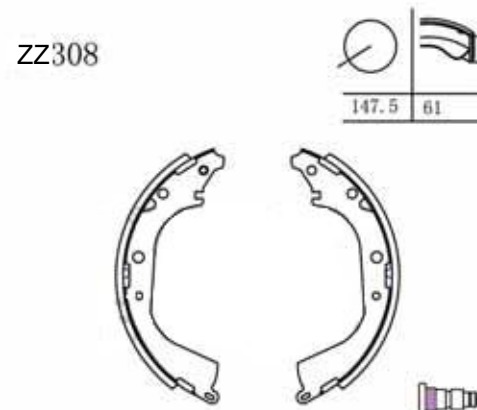
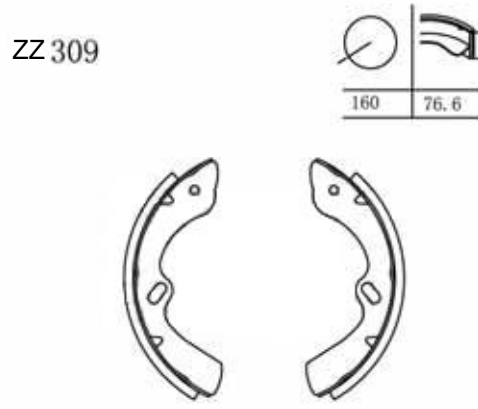
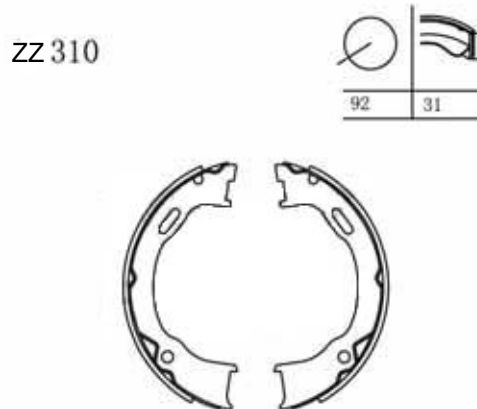

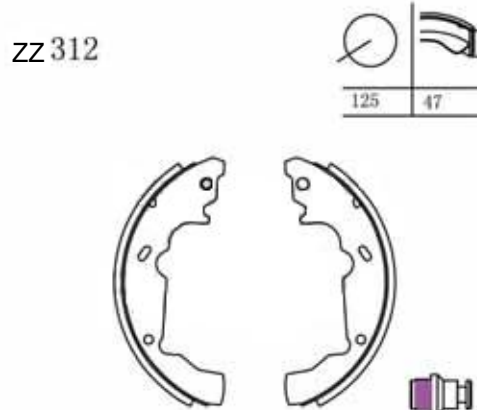
ZZ 294

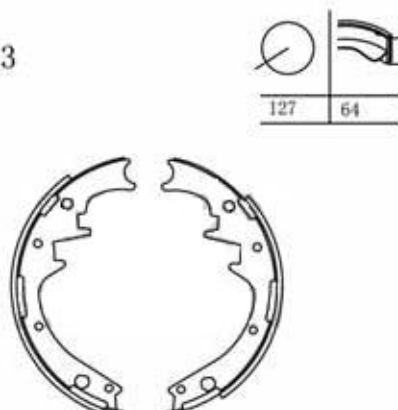
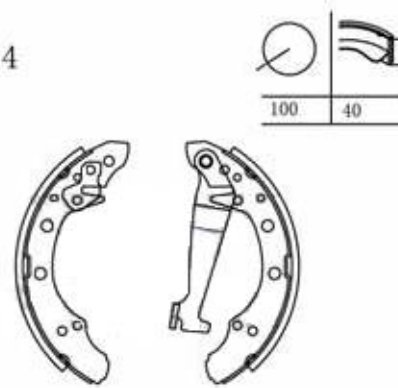


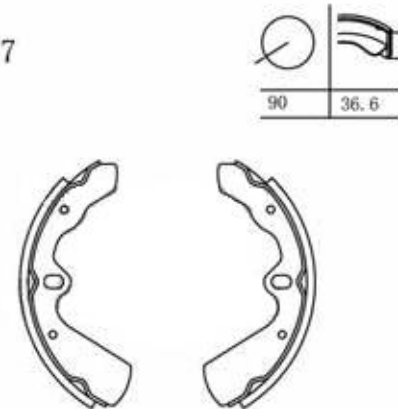
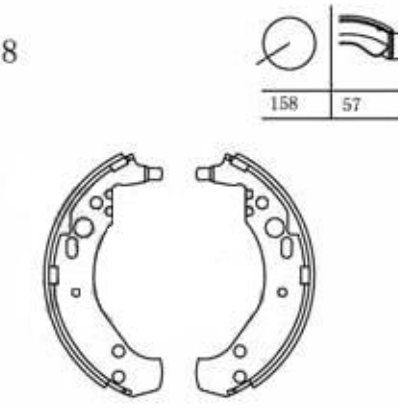
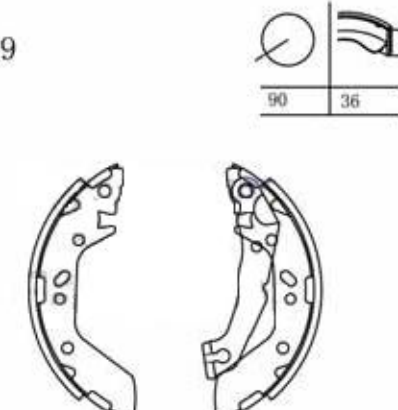
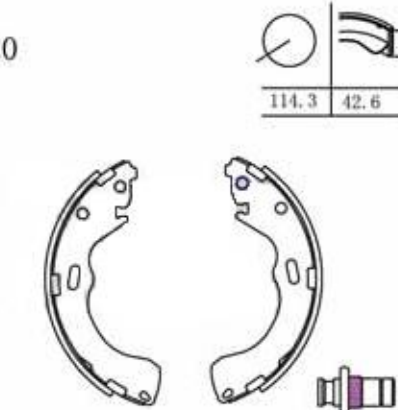



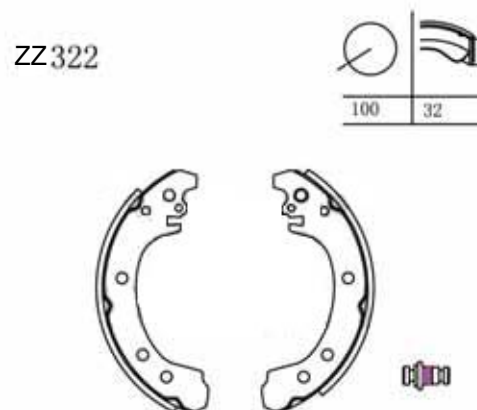



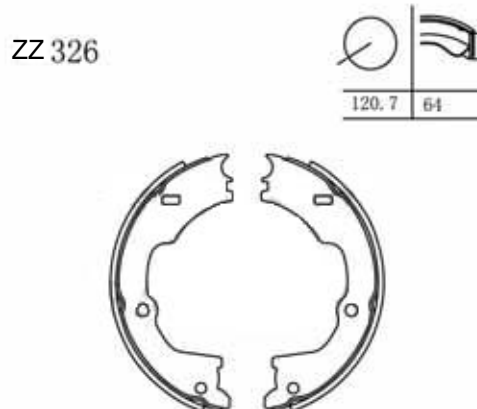

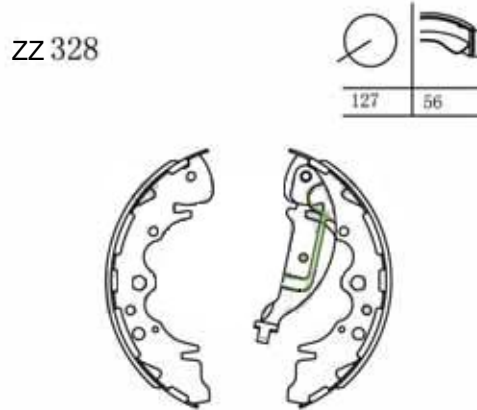
ZZ 295

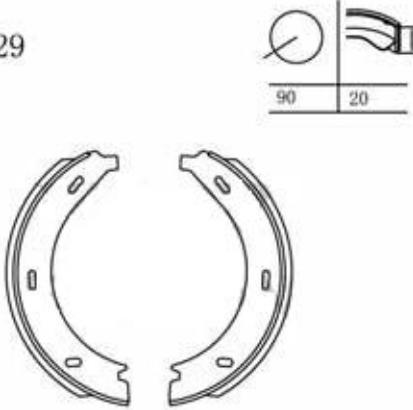
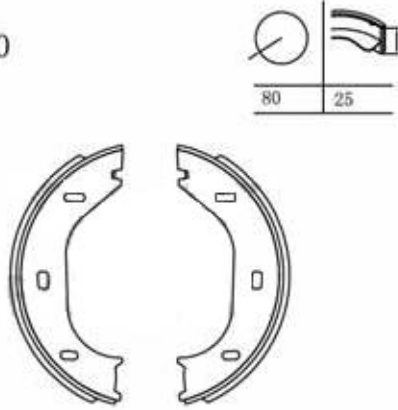
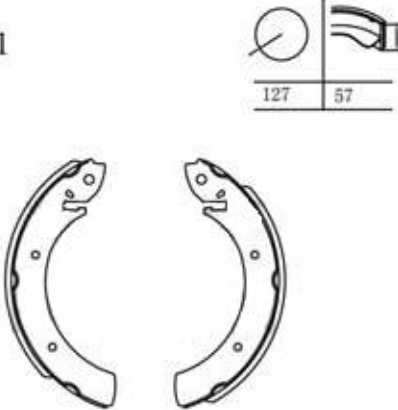
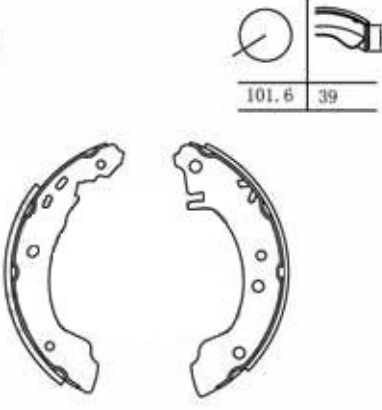

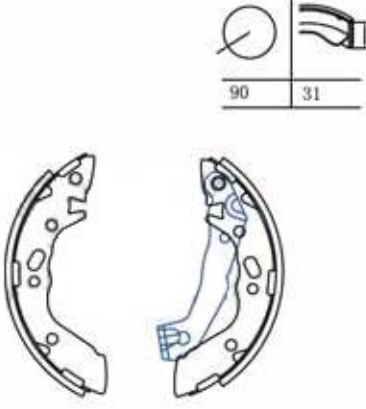
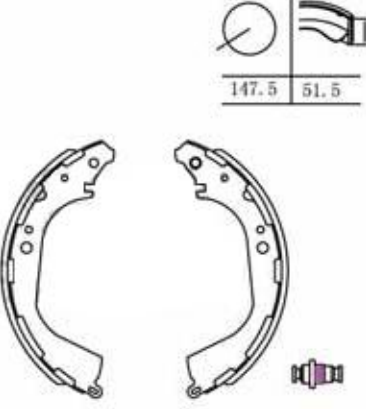
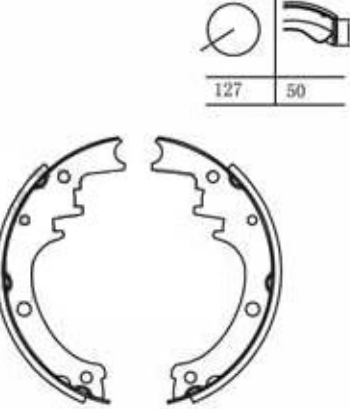


<p>zz 296</p>  <p>114.3 40</p>	<p>zz 298</p>  <p>90.5 31</p>
<p>zz 299</p>  <p>90 36.5</p>	<p>zz 300</p>  <p>90 26</p>
<p>zz 301</p>  <p>100 26</p>	<p>zz 302</p>  <p>90 26</p>
<p>zz 303</p>  <p>158.5 59</p>	<p>zz 304</p>  <p>90 36.8</p>

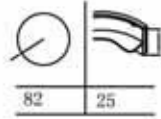
<p>ZZ 305</p> 	<p>ZZ 306</p> 
<p>ZZ 307</p> 	<p>ZZ 308</p> 
<p>ZZ 309</p> 	<p>ZZ 310</p> 
<p>ZZ 311</p> 	<p>ZZ 312</p> 

<p>zz 313</p>  <p>127 64</p>	<p>zz 314</p>  <p>100 40</p>
<p>zz 315</p>  <p>101.6 38.6</p>	<p>zz 316</p>  <p>101.6 36.5</p>
<p>zz 317</p>  <p>90 36.6</p>	<p>zz 318</p>  <p>158 57</p>
<p>zz 319</p>  <p>90 36</p>	<p>zz 320</p>  <p>114.3 42.6</p>

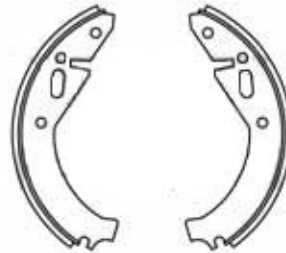
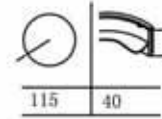
<p>ZZ 321</p> 	<p>ZZ 322</p> 
<p>ZZ 323</p> 	<p>ZZ 324</p> 
<p>ZZ 325</p> 	<p>ZZ 326</p> 
<p>ZZ 327</p> 	<p>ZZ 328</p> 

<p>ZZ 329</p> 	<p>ZZ 330</p> 
<p>ZZ 331</p> 	<p>ZZ 332</p> 
<p>ZZ 333</p> 	<p>ZZ 334</p> 
<p>ZZ 335</p> 	<p>ZZ 336</p> 

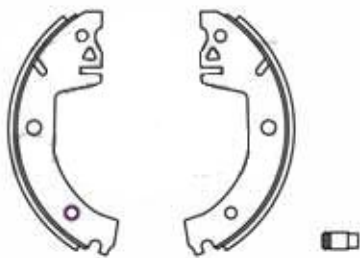
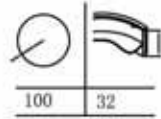
ZZ337



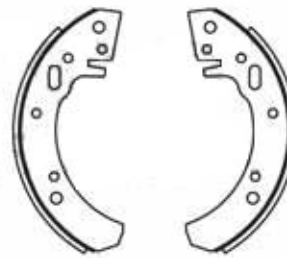
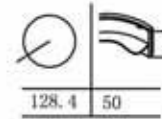
ZZ 338



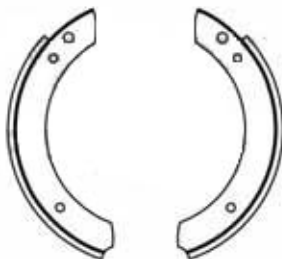
ZZ 339



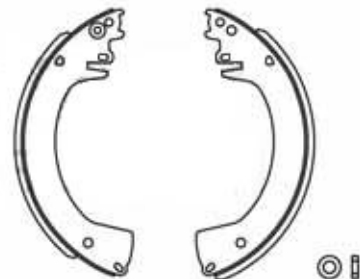
ZZ 340



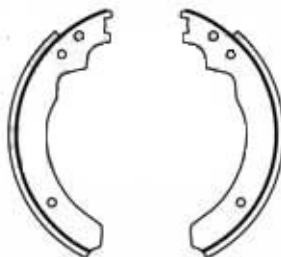
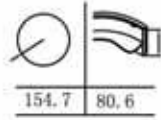
ZZ 341



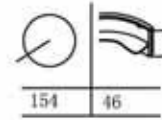
ZZ 342

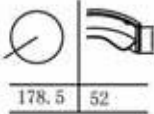
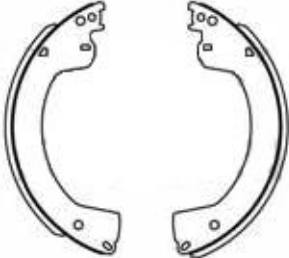
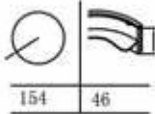
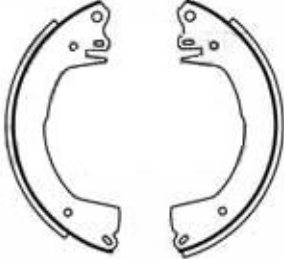
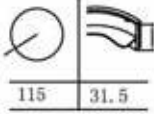
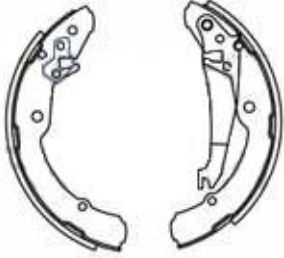
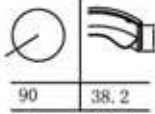
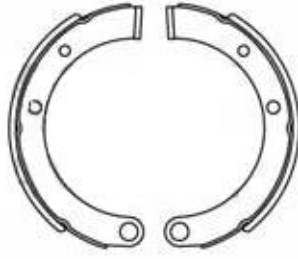
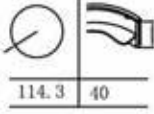
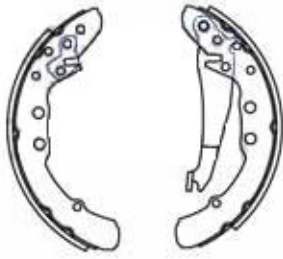


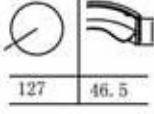
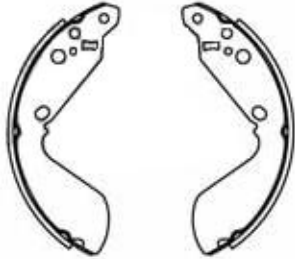
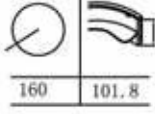



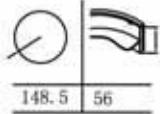
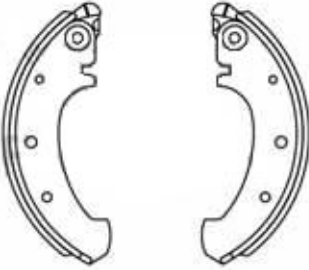
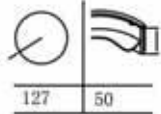

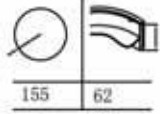
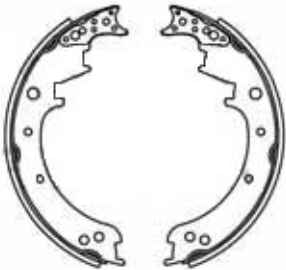
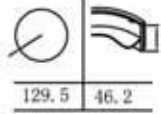

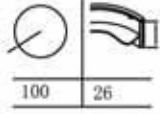
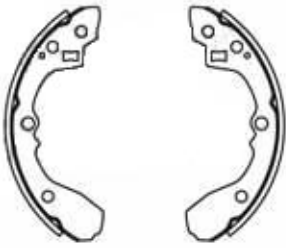
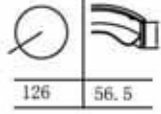
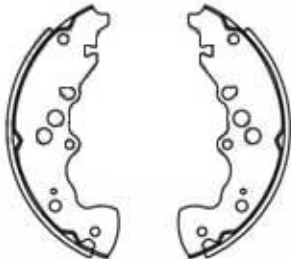
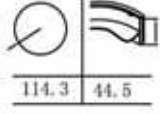
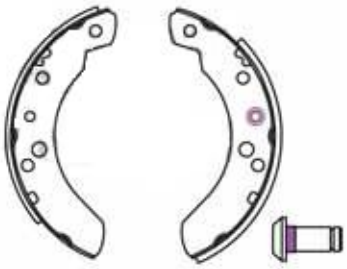
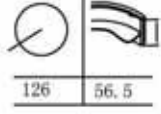
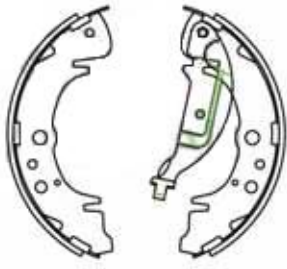
ZZ 343



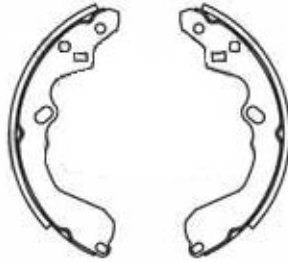
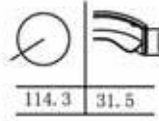
ZZ344



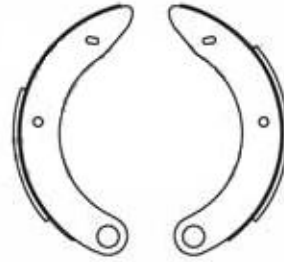
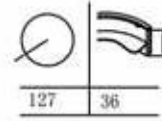
<p>ZZ 345</p>  <table border="1" data-bbox="651 306 805 340"> <tr> <td>178.5</td> <td>52</td> </tr> </table> 	178.5	52	<p>ZZ 346</p>  <table border="1" data-bbox="1209 306 1364 340"> <tr> <td>154</td> <td>46</td> </tr> </table> 	154	46
178.5	52				
154	46				
<p>ZZ 347</p>  <table border="1" data-bbox="651 774 805 808"> <tr> <td>115</td> <td>31.5</td> </tr> </table> 	115	31.5	<p>ZZ348</p>  <table border="1" data-bbox="1209 774 1364 808"> <tr> <td>90</td> <td>38.2</td> </tr> </table> 	90	38.2
115	31.5				
90	38.2				
<p>ZZ 349</p>  <table border="1" data-bbox="651 1248 805 1282"> <tr> <td>114.3</td> <td>40</td> </tr> </table> 	114.3	40	<p>ZZ 350</p>  <table border="1" data-bbox="1209 1248 1364 1282"> <tr> <td></td> <td></td> </tr> </table> 		
114.3	40				
<p>ZZ 351</p>  <table border="1" data-bbox="651 1722 805 1757"> <tr> <td>127</td> <td>46.5</td> </tr> </table> 	127	46.5	<p>ZZ352</p>  <table border="1" data-bbox="1209 1722 1364 1757"> <tr> <td>160</td> <td>101.8</td> </tr> </table> 	160	101.8
127	46.5				
160	101.8				

<p>ZZ 353</p>  	<p>ZZ 354</p>  
<p>ZZ 355</p>  	<p>ZZ 356</p>  
<p>ZZ 357</p>  	<p>ZZ 358</p>  
<p>ZZ 359</p>  	<p>ZZ 360</p>  

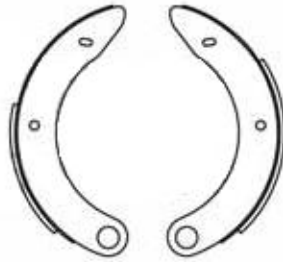
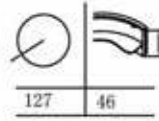
zz361



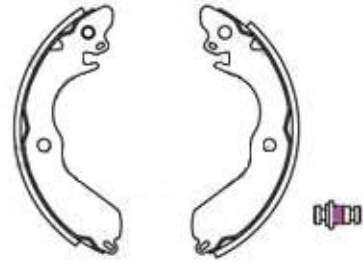
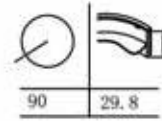
zz 362



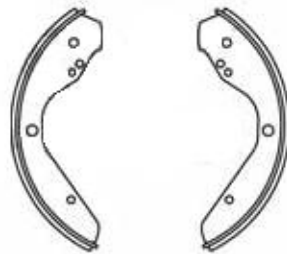
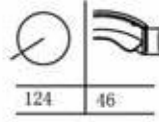
zz363



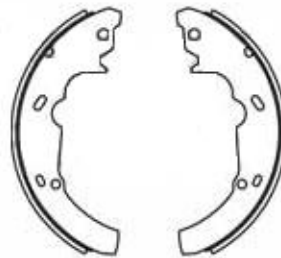
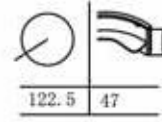
zz 364



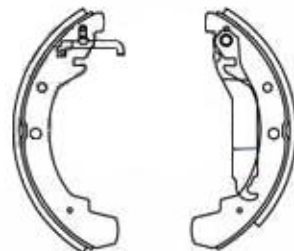
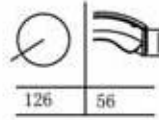
zz 365



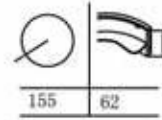
zz366

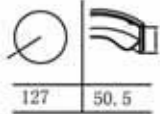

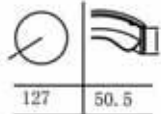

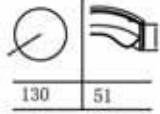

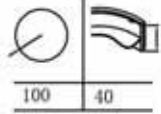
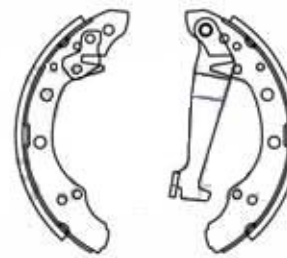

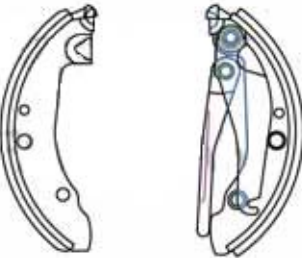
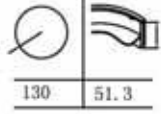
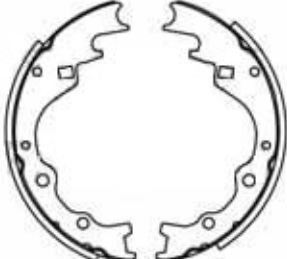
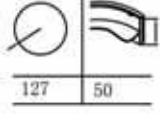
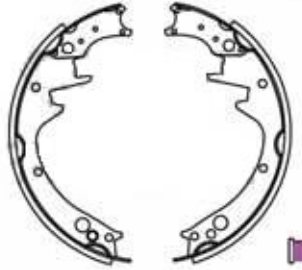




zz 367

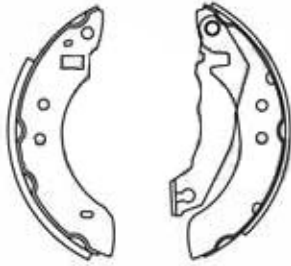
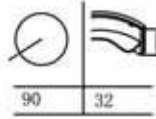


zz368

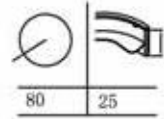


<p>ZZ 369</p>  	<p>ZZ 370</p>  
<p>ZZ 371</p>  	<p>ZZ 372</p>  
<p>ZZ 373</p>  	<p>ZZ374</p>  
<p>ZZ 375</p>  	<p>ZZ376</p>  

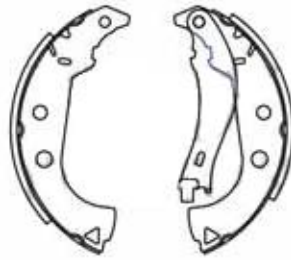
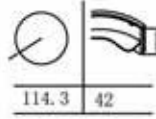
ZZ 377



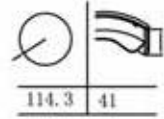
ZZ 378



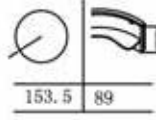
ZZ 379



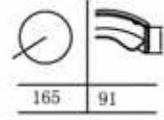
ZZ 380



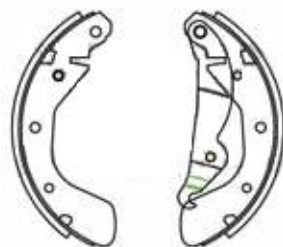
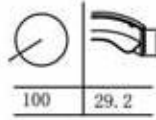
ZZ 381



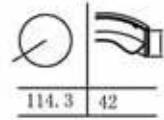
ZZ 382

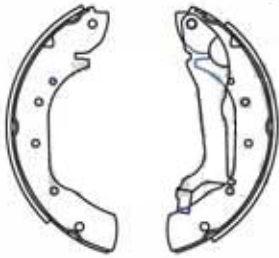
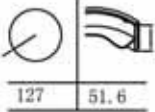
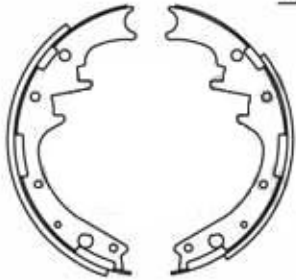
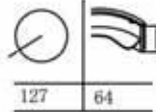
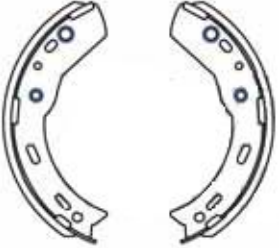
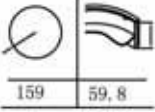

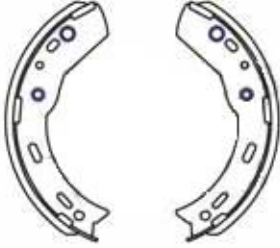
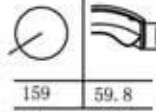


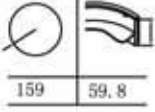
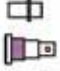
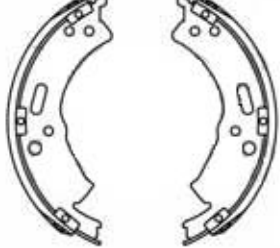
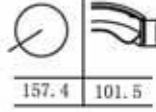
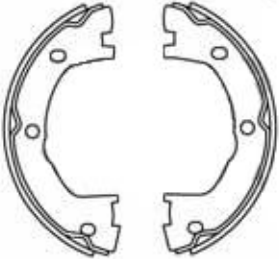
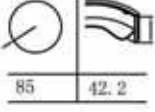

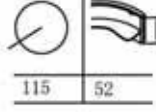


ZZ 383

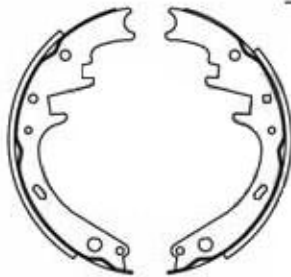
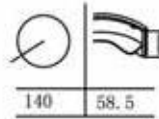


ZZ 384

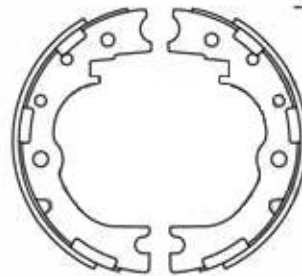
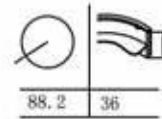


<p>ZZ 385</p>  	<p>ZZ 386</p>  
<p>ZZ 387</p>   	<p>ZZ 388</p>   
<p>ZZ389</p>   	<p>ZZ390</p>  
<p>ZZ 391</p>  	<p>ZZ 392</p>  

zz393



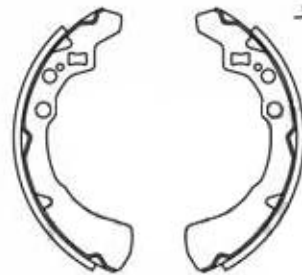
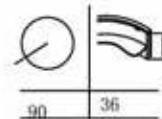
zz394



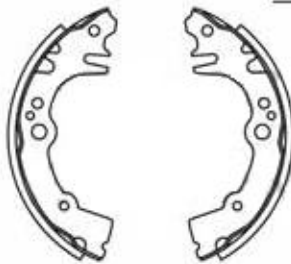
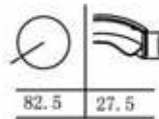
zz395



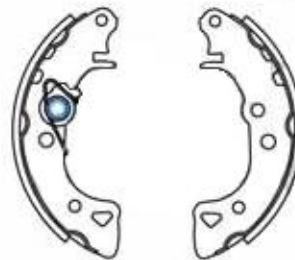
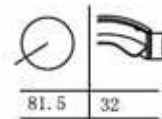
zz396



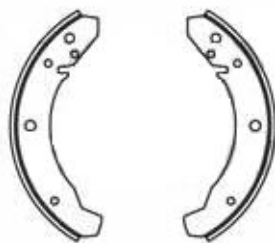
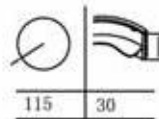
zz397



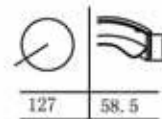
zz398

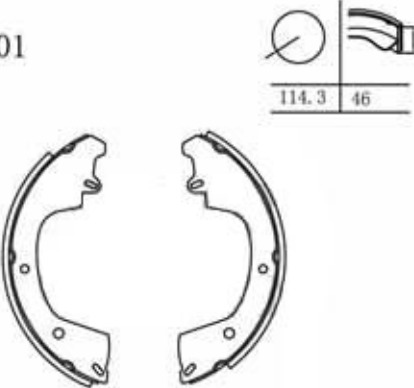
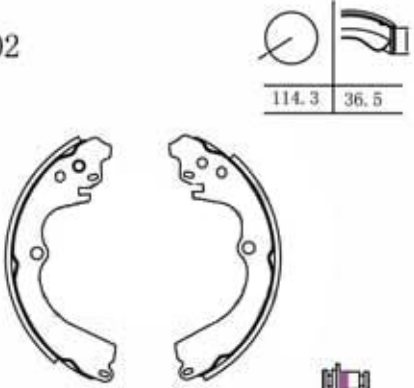
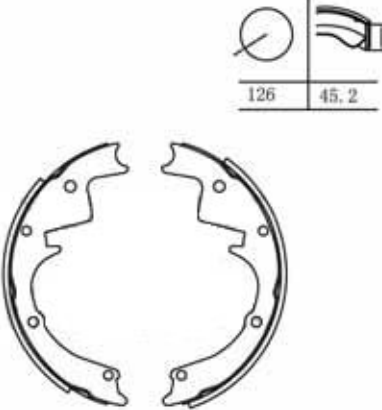

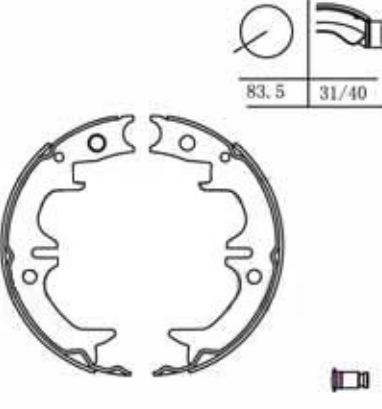
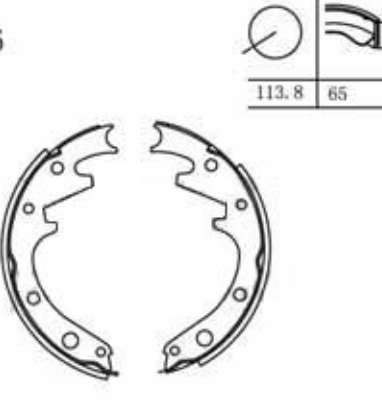
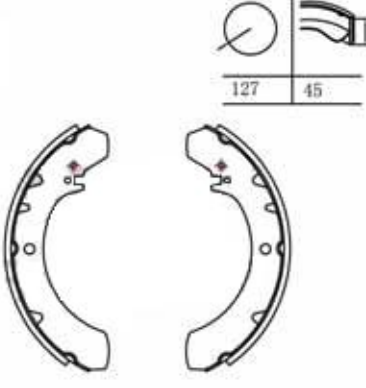



zz399

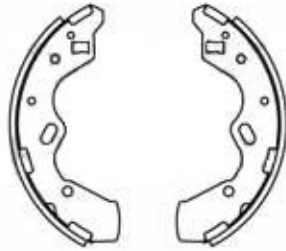
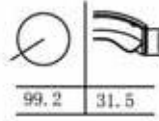


zz400

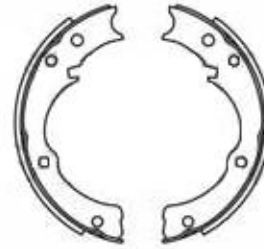
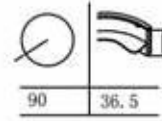


<p>ZZ 401</p>  <p>114.3 46</p>	<p>ZZ402</p>  <p>114.3 36.5</p>
<p>ZZ 403</p>  <p>126 45.2</p>	<p>ZZ 404</p>  <p>114.3 39.5</p>
<p>ZZ405</p>  <p>83.5 31/40</p>	<p>ZZ 406</p>  <p>113.8 65</p>
<p>ZZ407</p>  <p>127 45</p>	<p>ZZ408</p>  <p>114.3 44.5</p>

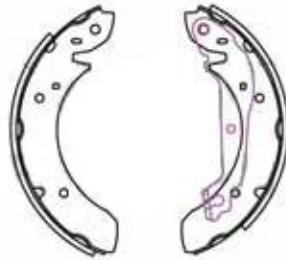
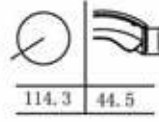
zz409



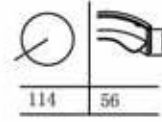
zz 410



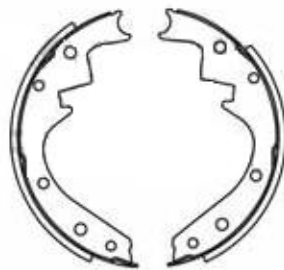
zz 411



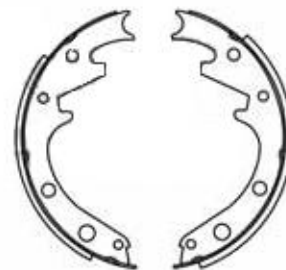
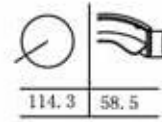
zz412



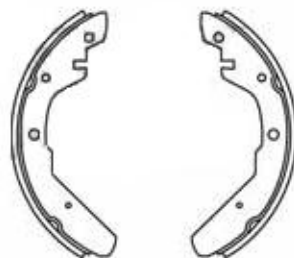
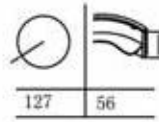
zz 413



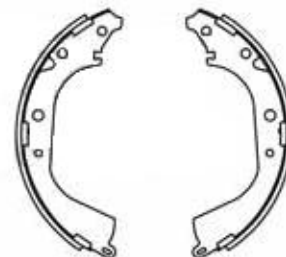
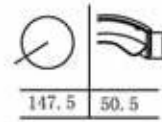
zz 414

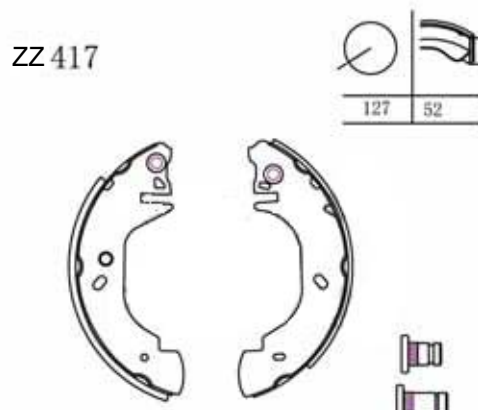




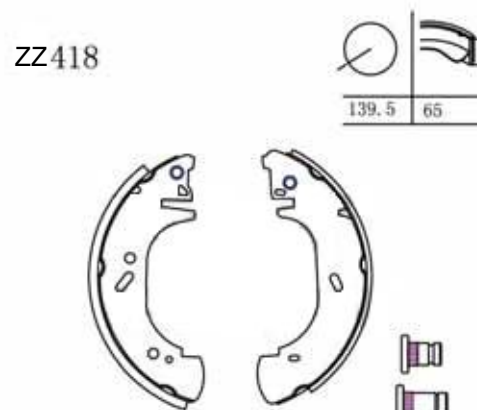








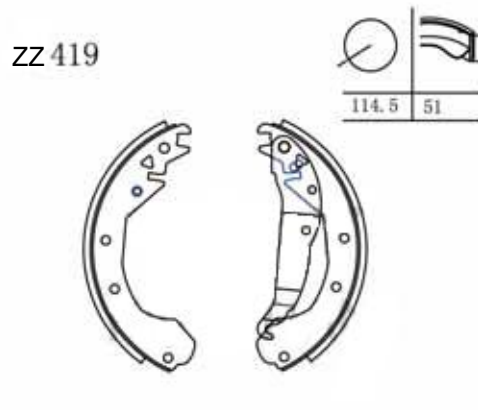




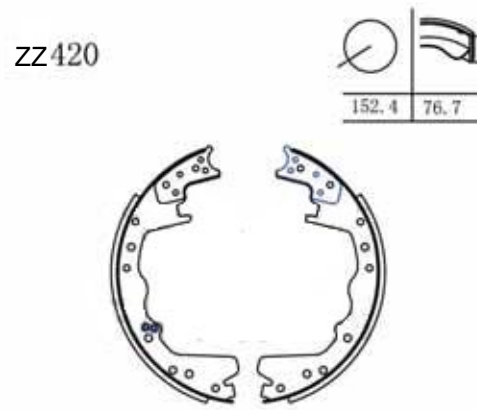













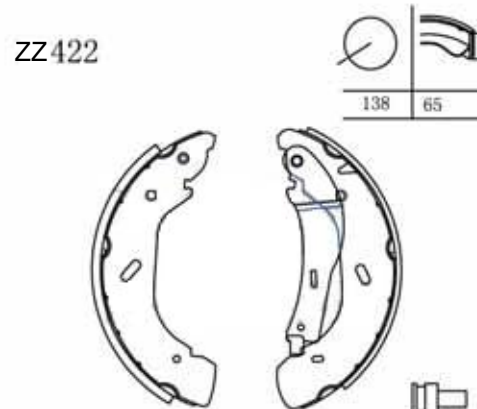








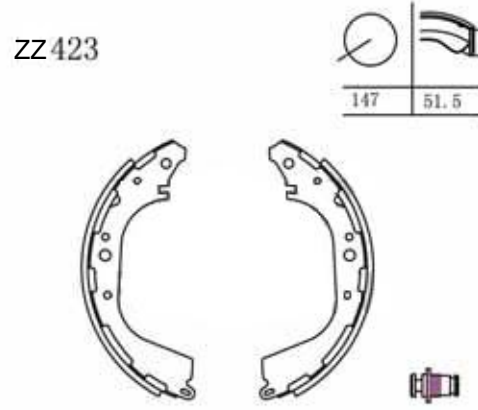




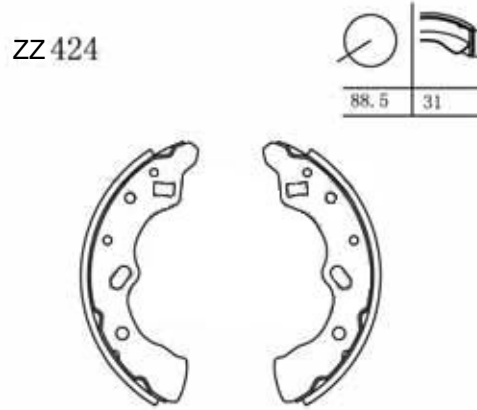










zz415

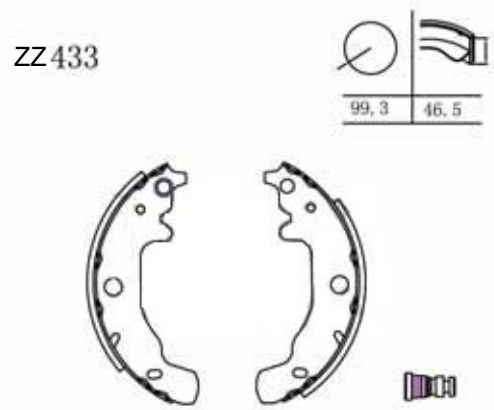




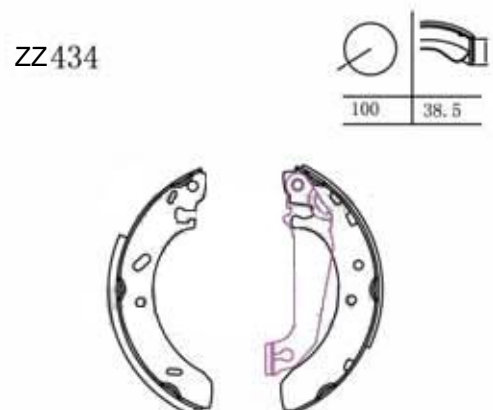













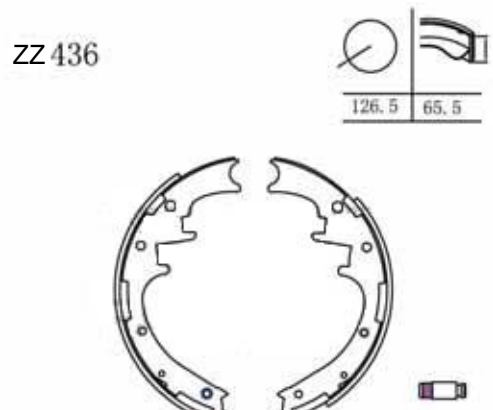








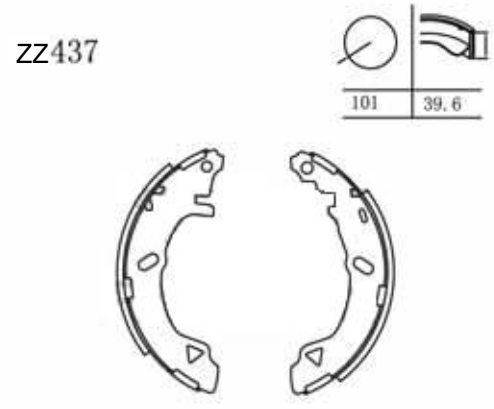




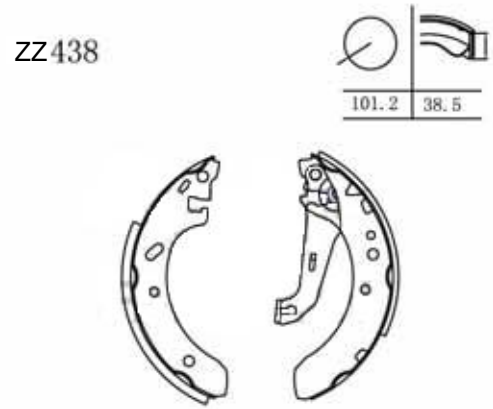








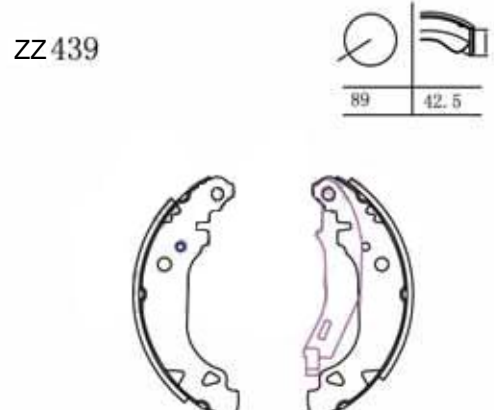




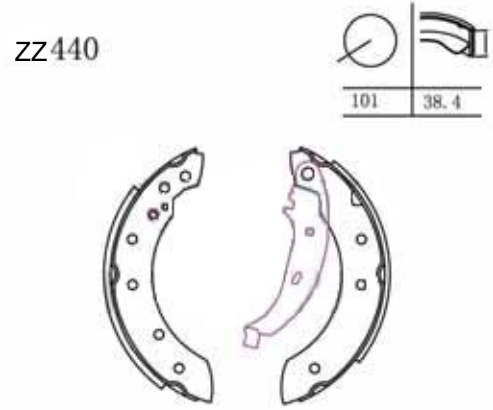










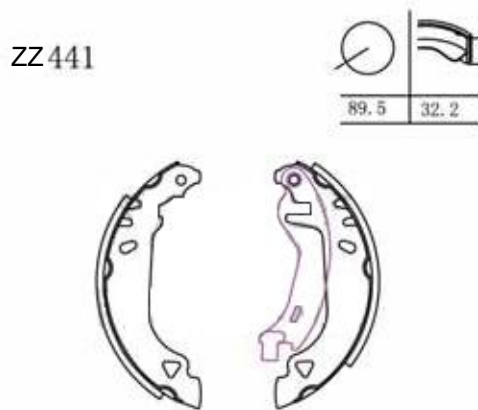


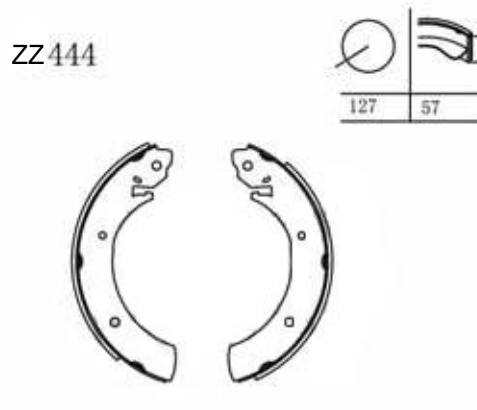
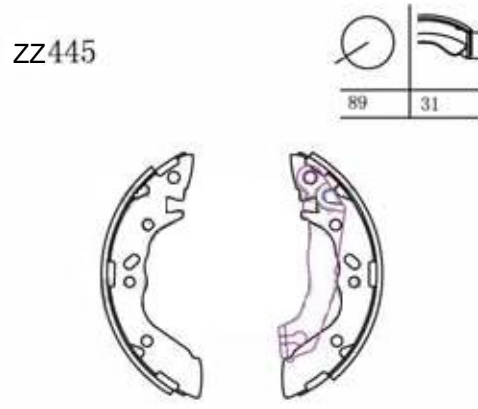
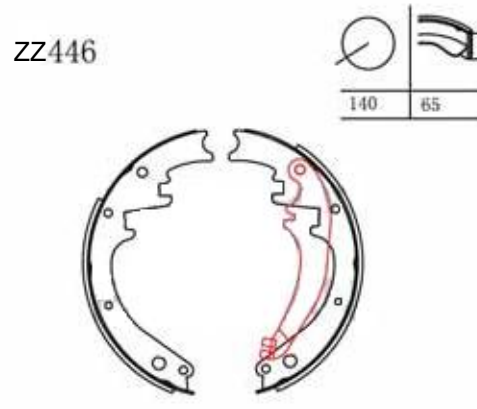

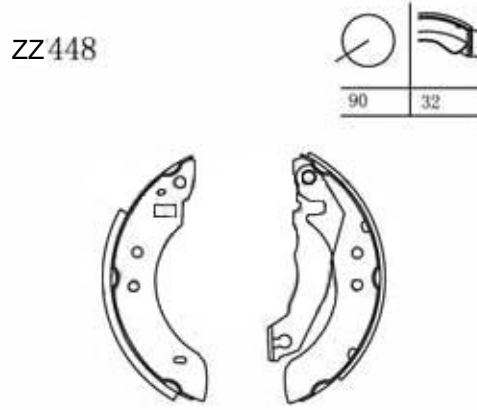
zz416



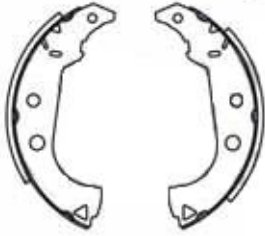
<p>ZZ 417</p>  <table border="1" data-bbox="574 215 718 323"> <tr> <td></td> <td></td> </tr> <tr> <td>127</td> <td>52</td> </tr> </table>			127	52	<p>ZZ 418</p>  <table border="1" data-bbox="1117 215 1276 323"> <tr> <td></td> <td></td> </tr> <tr> <td>139.5</td> <td>65</td> </tr> </table>			139.5	65
									
127	52								
									
139.5	65								
<p>ZZ 419</p>  <table border="1" data-bbox="574 689 718 797"> <tr> <td></td> <td></td> </tr> <tr> <td>114.5</td> <td>51</td> </tr> </table>			114.5	51	<p>ZZ 420</p>  <table border="1" data-bbox="1117 689 1276 797"> <tr> <td></td> <td></td> </tr> <tr> <td>152.4</td> <td>76.7</td> </tr> </table>			152.4	76.7
									
114.5	51								
									
152.4	76.7								
<p>ZZ 421</p>  <table border="1" data-bbox="574 1164 718 1272"> <tr> <td></td> <td></td> </tr> <tr> <td>145.8</td> <td>55.6</td> </tr> </table>			145.8	55.6	<p>ZZ 422</p>  <table border="1" data-bbox="1117 1164 1276 1272"> <tr> <td></td> <td></td> </tr> <tr> <td>138</td> <td>65</td> </tr> </table>			138	65
									
145.8	55.6								
									
138	65								
<p>ZZ 423</p>  <table border="1" data-bbox="574 1638 718 1746"> <tr> <td></td> <td></td> </tr> <tr> <td>147</td> <td>51.5</td> </tr> </table>			147	51.5	<p>ZZ 424</p>  <table border="1" data-bbox="1117 1638 1276 1746"> <tr> <td></td> <td></td> </tr> <tr> <td>88.5</td> <td>31</td> </tr> </table>			88.5	31
									
147	51.5								
									
88.5	31								

<p>ZZ 425</p> <p>139 57.8</p>	<p>ZZ 426</p> <p>126 44.6</p>
<p>ZZ 427</p> <p>147 47</p>	<p>ZZ 428</p> <p>100 34</p>
<p>ZZ 429</p> <p>156.5 77.5</p>	<p>ZZ 430</p> <p>148.3 62</p>
<p>ZZ 431</p> <p>89.5 31.8</p>	<p>ZZ 432</p> <p>99 36</p>

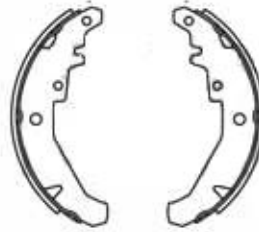
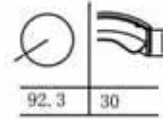
<p>ZZ433</p>  <table border="1" data-bbox="574 215 734 344"> <tr> <td></td> <td></td> </tr> <tr> <td>99,3</td> <td>46,5</td> </tr> </table>			99,3	46,5	<p>ZZ434</p>  <table border="1" data-bbox="1133 215 1292 344"> <tr> <td></td> <td></td> </tr> <tr> <td>100</td> <td>38,5</td> </tr> </table>			100	38,5
									
99,3	46,5								
									
100	38,5								
<p>ZZ435</p>  <table border="1" data-bbox="542 689 734 819"> <tr> <td></td> <td></td> </tr> <tr> <td>142,1/139,8</td> <td>52,4</td> </tr> </table>			142,1/139,8	52,4	<p>ZZ436</p>  <table border="1" data-bbox="1133 689 1292 819"> <tr> <td></td> <td></td> </tr> <tr> <td>126,5</td> <td>65,5</td> </tr> </table>			126,5	65,5
									
142,1/139,8	52,4								
									
126,5	65,5								
<p>ZZ437</p>  <table border="1" data-bbox="574 1164 734 1293"> <tr> <td></td> <td></td> </tr> <tr> <td>101</td> <td>39,6</td> </tr> </table>			101	39,6	<p>ZZ438</p>  <table border="1" data-bbox="1133 1164 1292 1293"> <tr> <td></td> <td></td> </tr> <tr> <td>101,2</td> <td>38,5</td> </tr> </table>			101,2	38,5
									
101	39,6								
									
101,2	38,5								
<p>ZZ439</p>  <table border="1" data-bbox="574 1638 734 1767"> <tr> <td></td> <td></td> </tr> <tr> <td>89</td> <td>42,5</td> </tr> </table>			89	42,5	<p>ZZ440</p>  <table border="1" data-bbox="1133 1638 1292 1767"> <tr> <td></td> <td></td> </tr> <tr> <td>101</td> <td>38,4</td> </tr> </table>			101	38,4
									
89	42,5								
									
101	38,4								

<p>ZZ441</p>  <p>89.5 32.2</p>	<p>ZZ442</p>  <p>110 39.7</p>
<p>ZZ443</p>  <p>139.5 65</p>	<p>ZZ444</p>  <p>127 57</p>
<p>ZZ445</p>  <p>89 31</p>	<p>ZZ446</p>  <p>140 65</p>
<p>ZZ447</p>  <p>139.5 62.5</p>	<p>ZZ448</p>  <p>90 32</p>

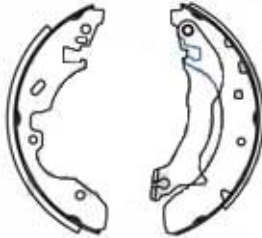
zz449



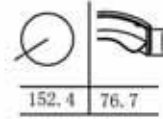
zz450



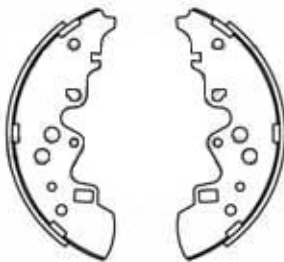
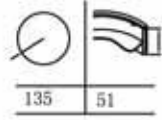
zz451



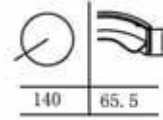
zz452



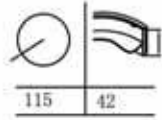
zz453



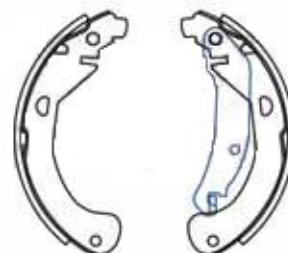
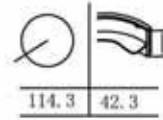
zz458

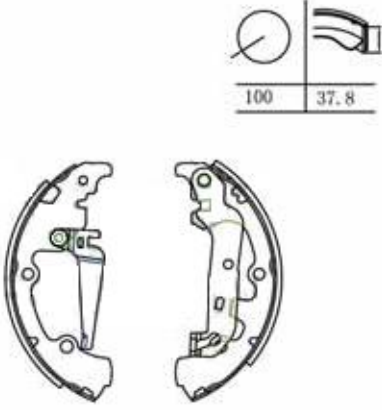
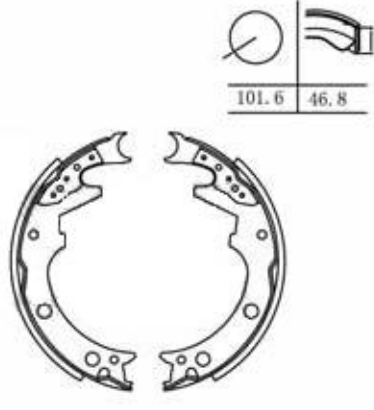
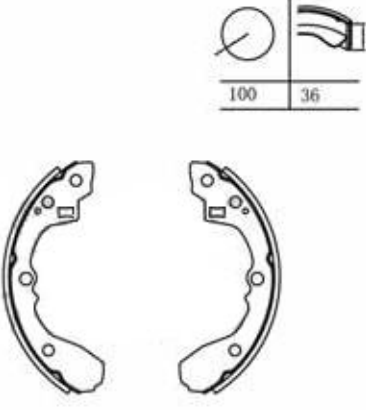
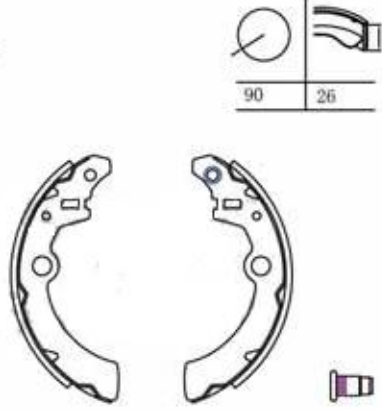
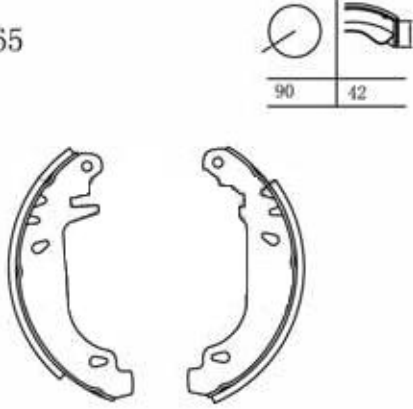
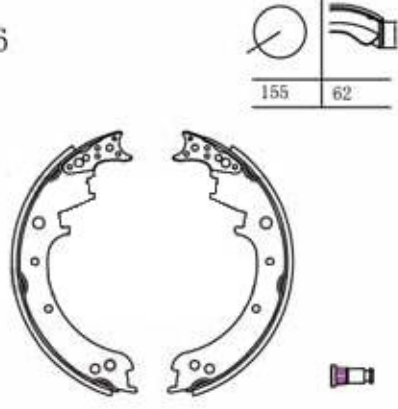
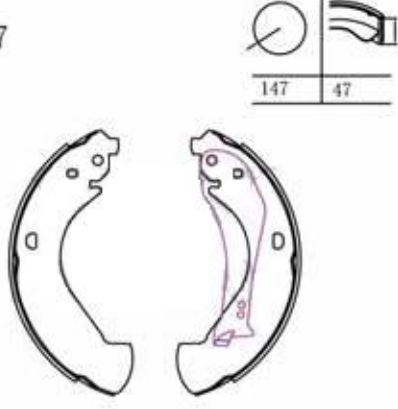
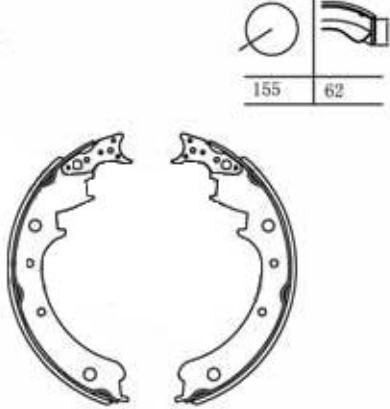


zz459

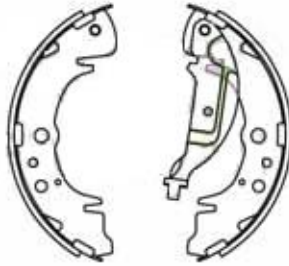
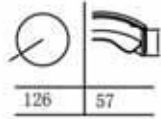


zz460

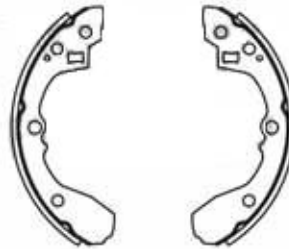
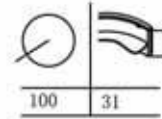


<p>ZZ461</p>  <p>100 37.8</p>	<p>ZZ462</p>  <p>101.6 46.8</p>
<p>ZZ463</p>  <p>100 36</p>	<p>ZZ464</p>  <p>90 26</p>
<p>ZZ465</p>  <p>90 42</p>	<p>ZZ466</p>  <p>155 62</p>
<p>ZZ467</p>  <p>147 47</p>	<p>ZZ468</p>  <p>155 62</p>

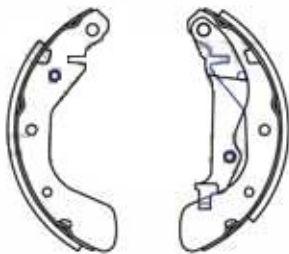
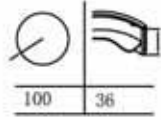
ZZ469



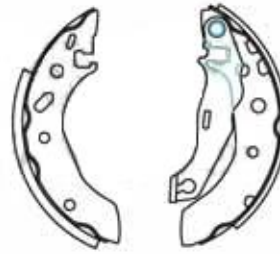
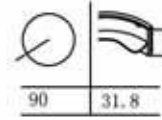
ZZ470



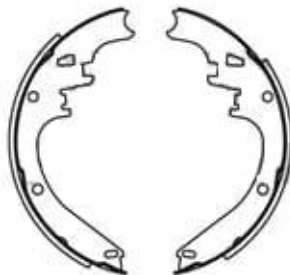
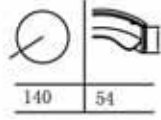
ZZ471



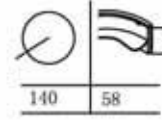
ZZ472



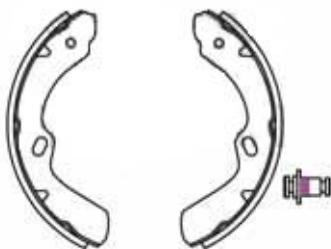
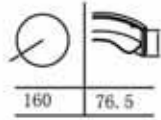
ZZ473



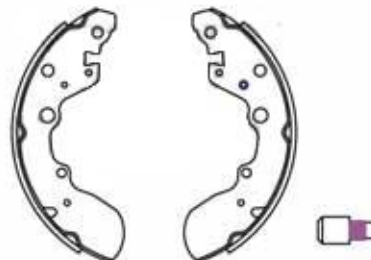
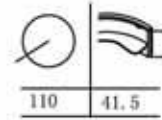
ZZ474

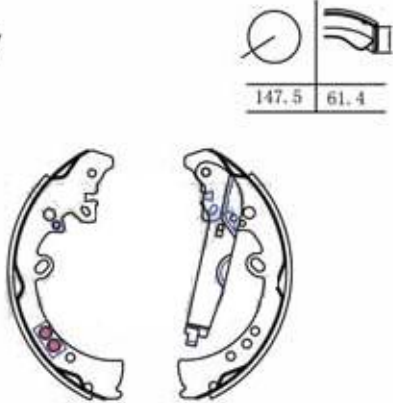
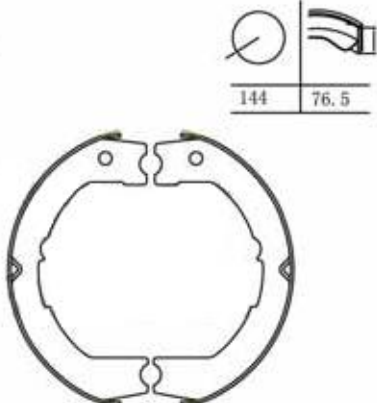
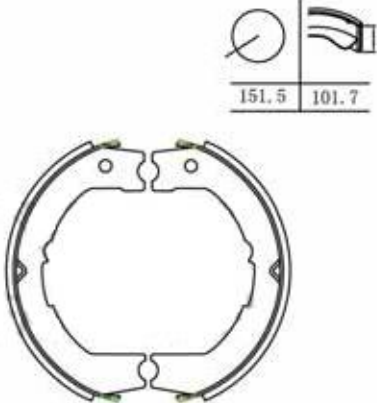
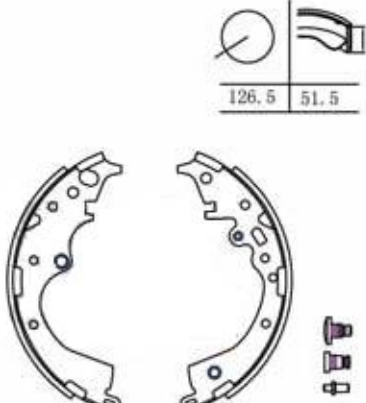
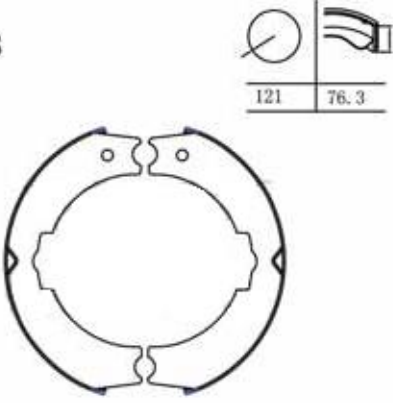
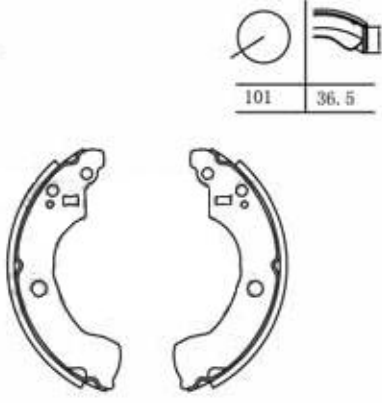
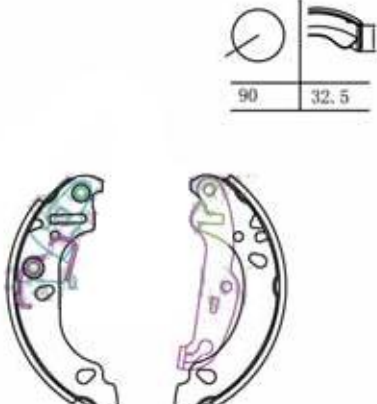
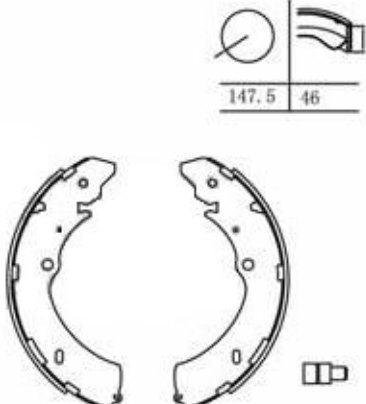


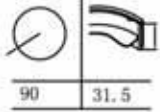
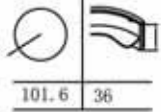
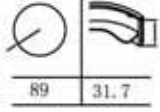
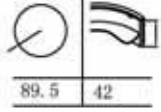
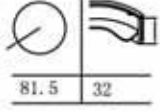
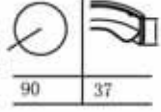
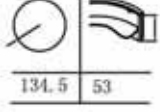
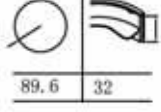
ZZ475

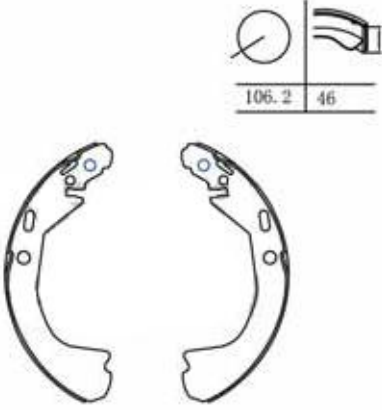
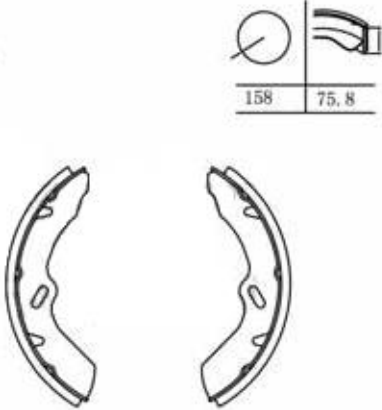
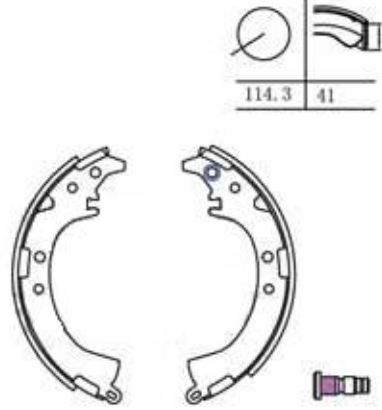
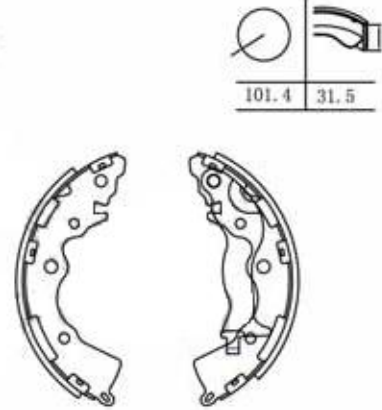
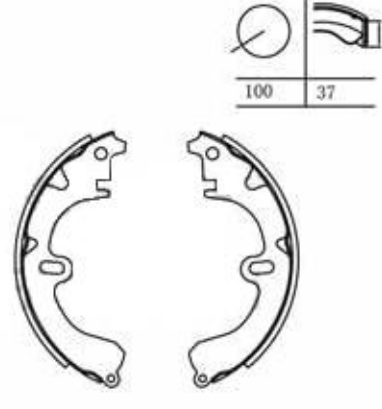
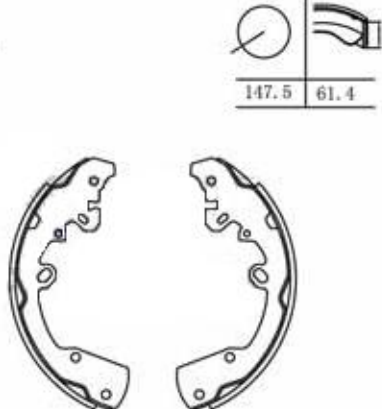
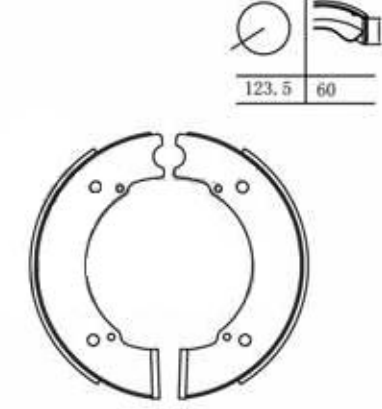
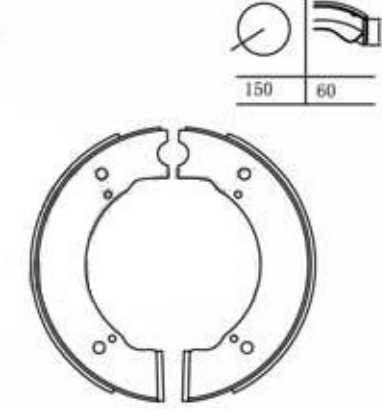


ZZ476

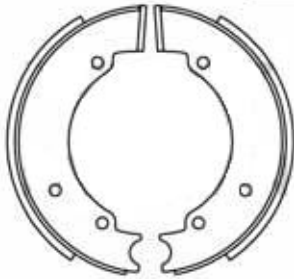
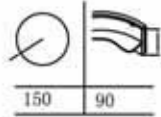


<p>ZZ477</p>  <p>147.5 61.4</p>	<p>ZZ480</p>  <p>144 76.5</p>
<p>ZZ481</p>  <p>151.5 101.7</p>	<p>ZZ482</p>  <p>126.5 51.5</p>
<p>ZZ483</p>  <p>121 76.3</p>	<p>ZZ484</p>  <p>101 36.5</p>
<p>ZZ485</p>  <p>90 32.5</p>	<p>ZZ486</p>  <p>147.5 46</p>

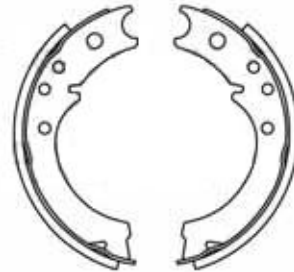
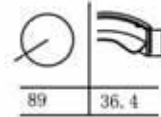
<p>ZZ487</p> 	<p>ZZ488</p> 
<p>ZZ489</p> 	<p>ZZ490</p> 
<p>ZZ491</p> 	<p>ZZ492</p> 
<p>ZZ495</p> 	<p>ZZ498</p> 

<p>ZZ 499</p>  <p>106.2 46</p>	<p>ZZ 500</p>  <p>158 75.8</p>
<p>ZZ 501</p>  <p>114.3 41</p>	<p>ZZ 502</p>  <p>101.4 31.5</p>
<p>ZZ 503</p>  <p>100 37</p>	<p>ZZ 504</p>  <p>147.5 61.4</p>
<p>ZZ 505</p>  <p>123.5 60</p>	<p>ZZ 506</p>  <p>150 60</p>

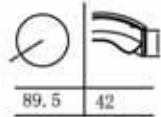
ZZ507



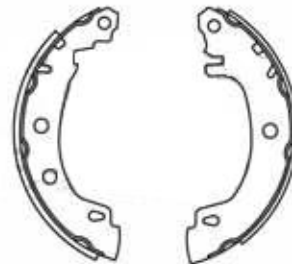
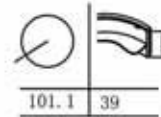
ZZ508



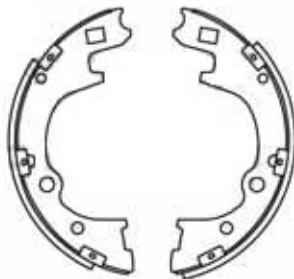
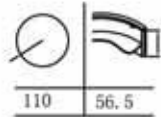
ZZ509



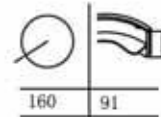
ZZ510



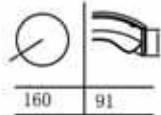
ZZ511



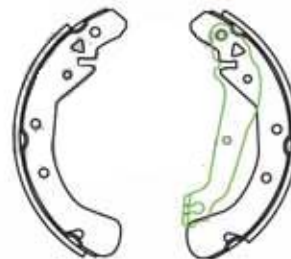
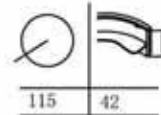
ZZ512

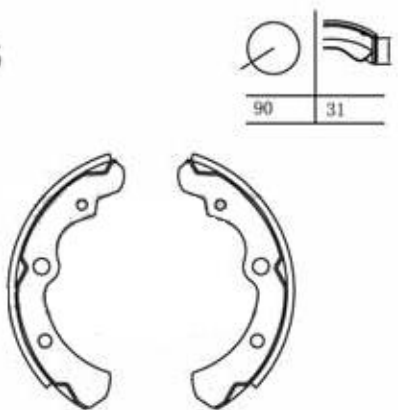
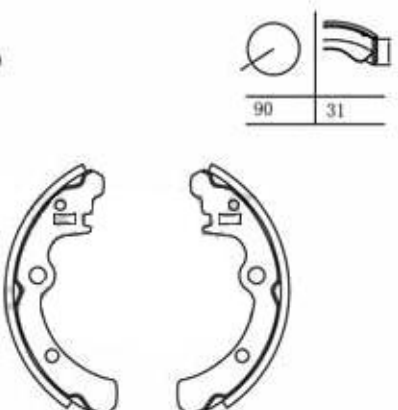
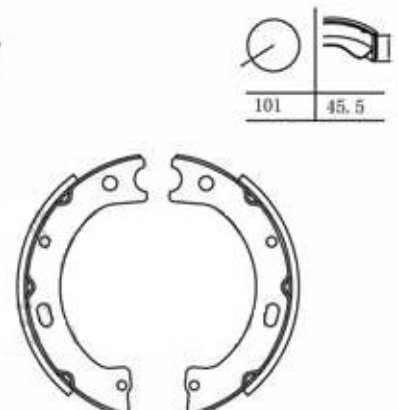

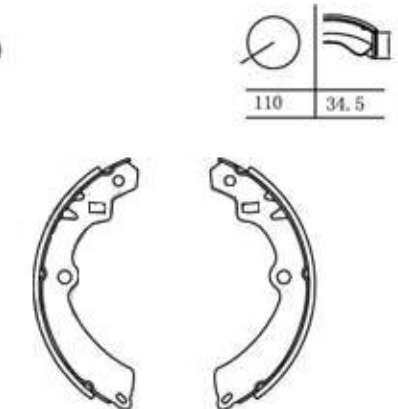
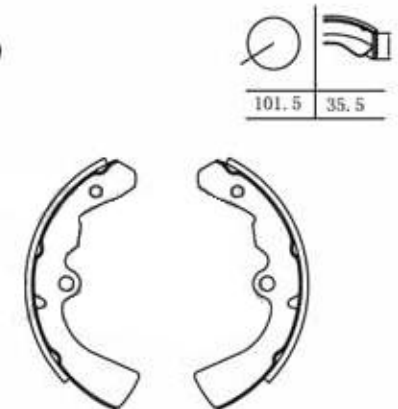
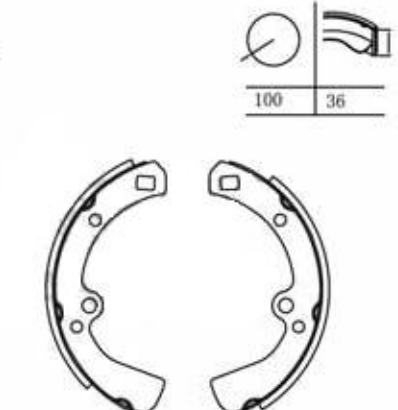
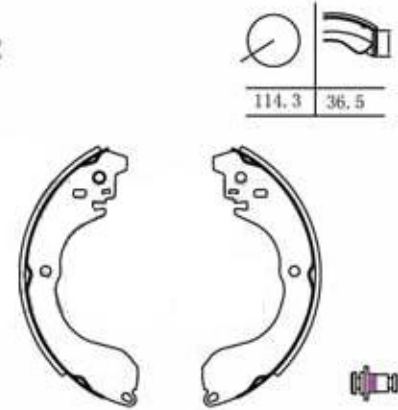


ZZ513

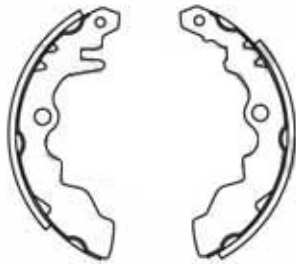
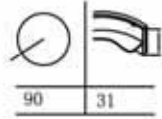


ZZ514

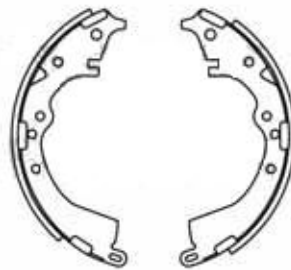
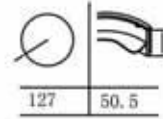


<p>ZZ515</p>  <p>90 31</p>	<p>ZZ516</p>  <p>90 31</p>
<p>ZZ517</p>  <p>101 45.5</p>	<p>ZZ518</p>  <p>120.6 50</p>
<p>ZZ519</p>  <p>110 34.5</p>	<p>ZZ520</p>  <p>101.5 35.5</p>
<p>ZZ521</p>  <p>100 36</p>	<p>ZZ522</p>  <p>114.3 36.5</p>

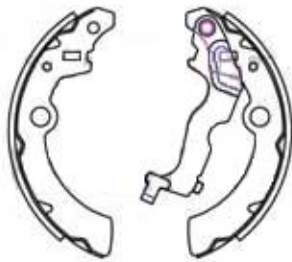
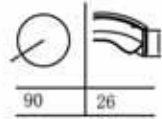
ZZ523



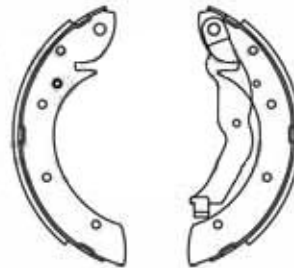
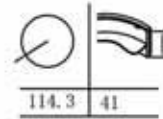
ZZ524



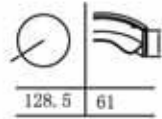
ZZ525



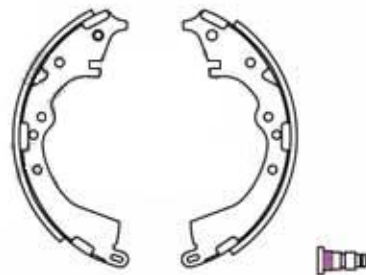
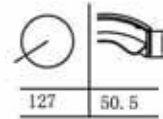
ZZ526



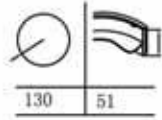
ZZ527



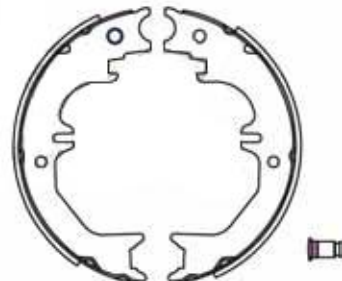
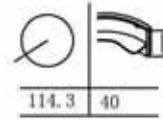
ZZ528

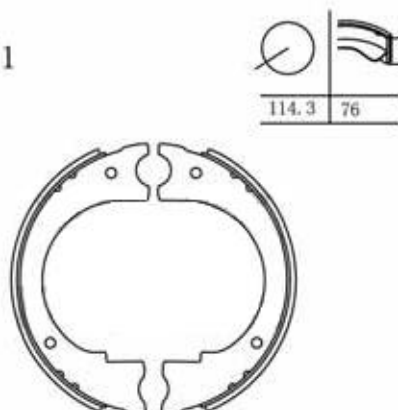
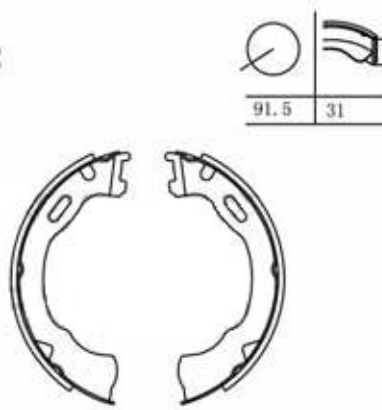
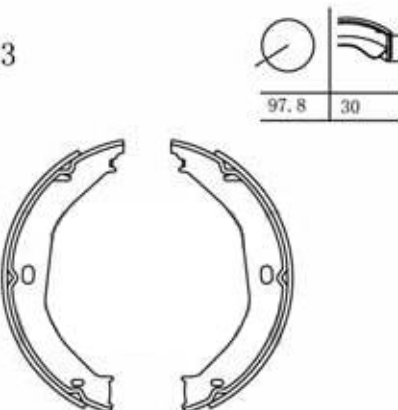
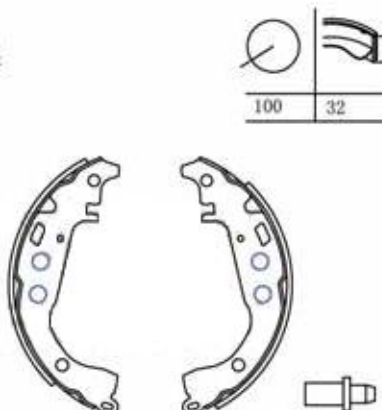

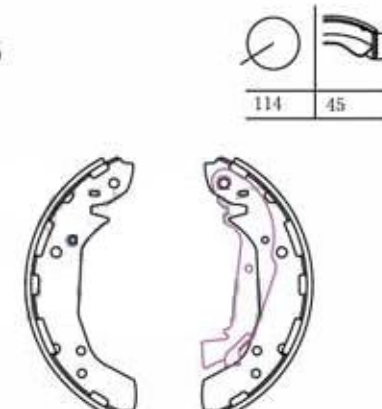
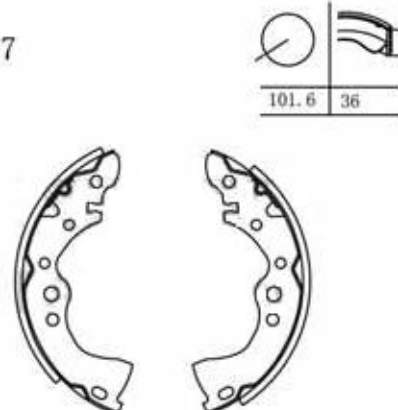
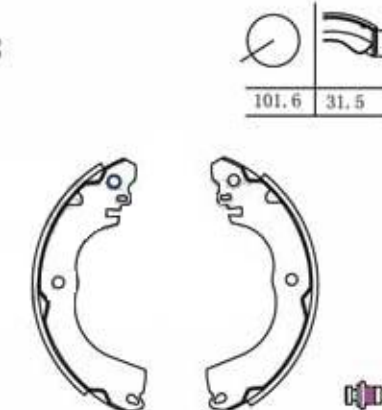


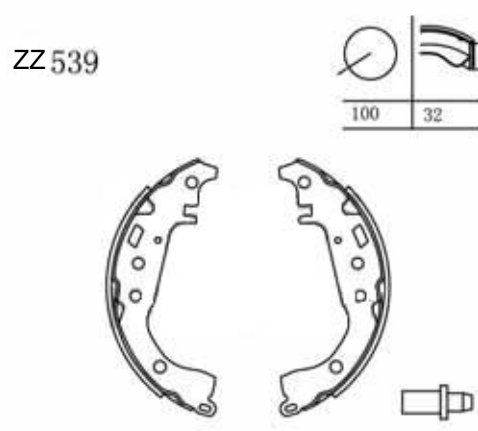
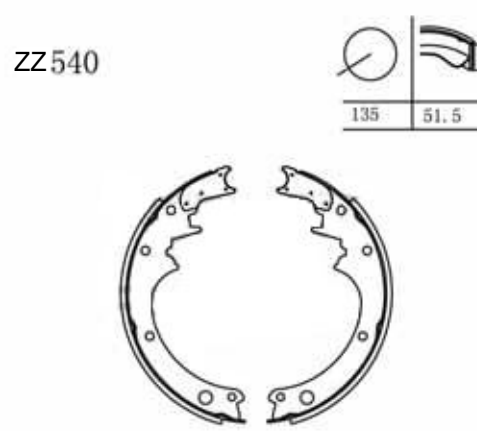
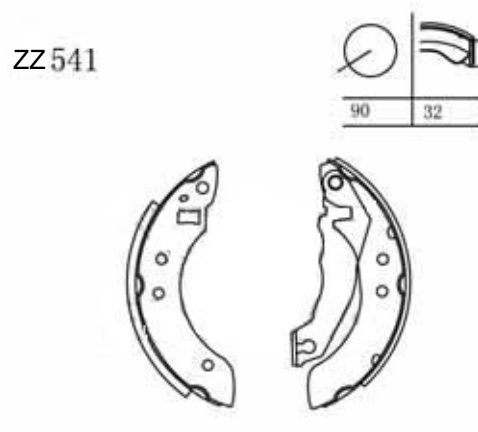
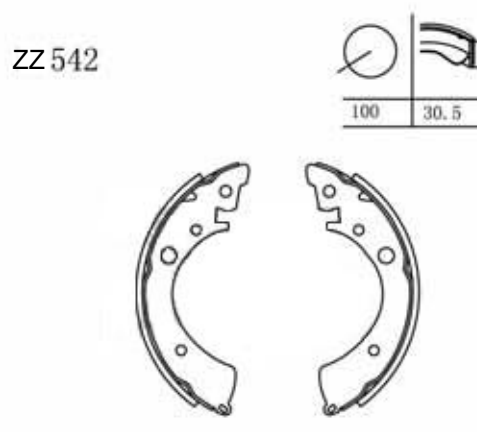
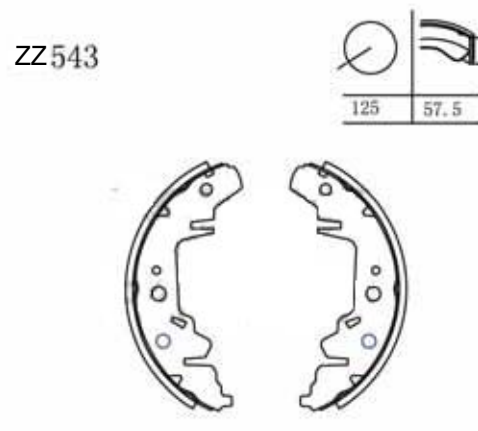
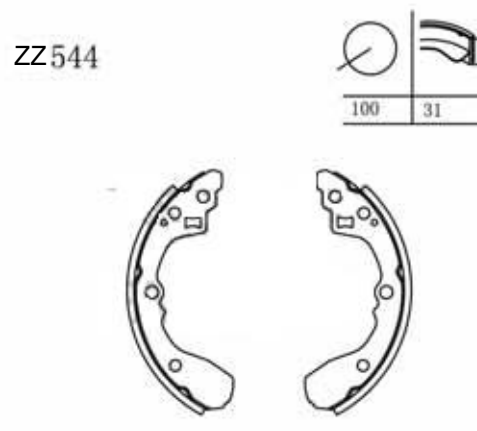
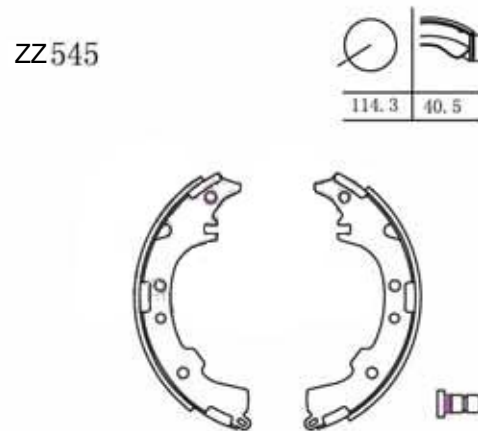
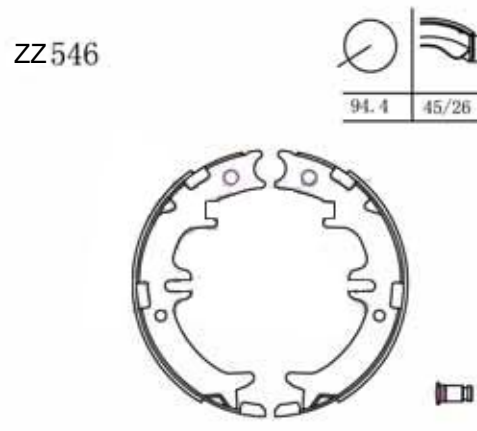
ZZ529

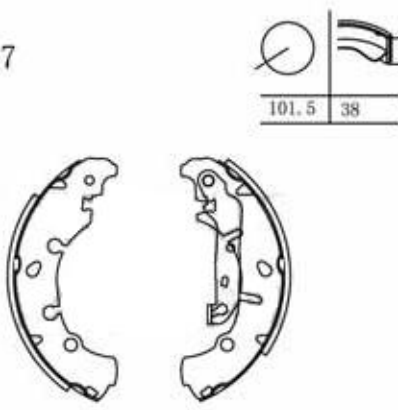

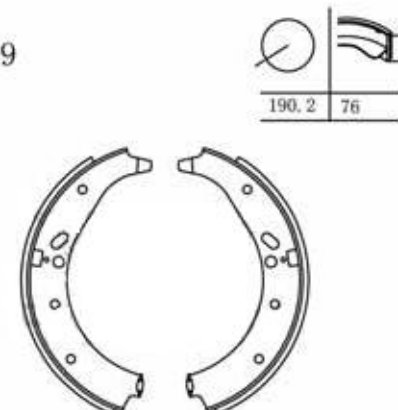


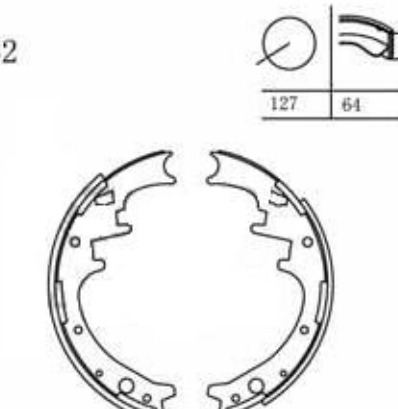
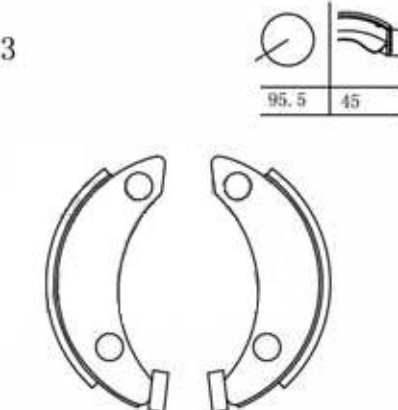
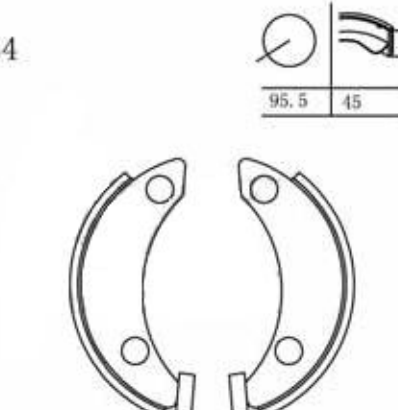


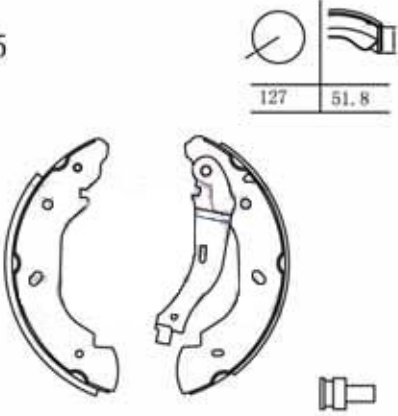

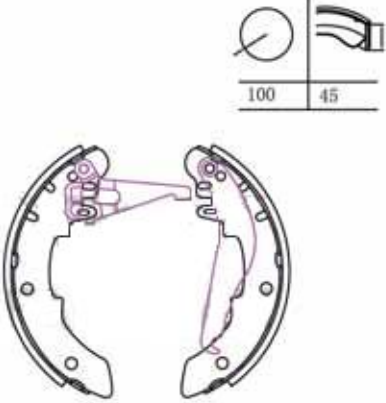
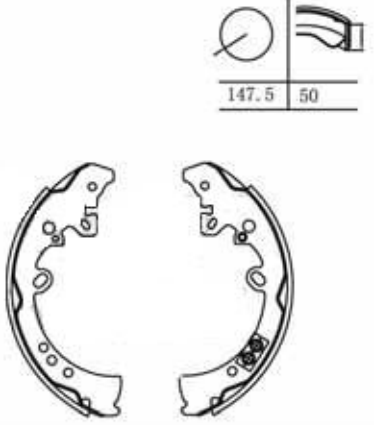
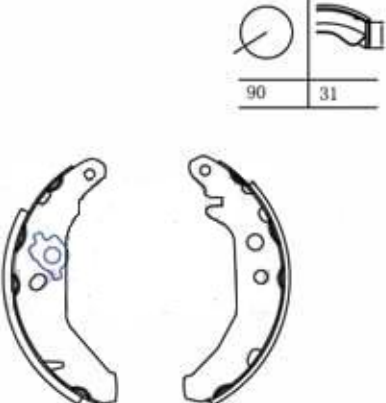
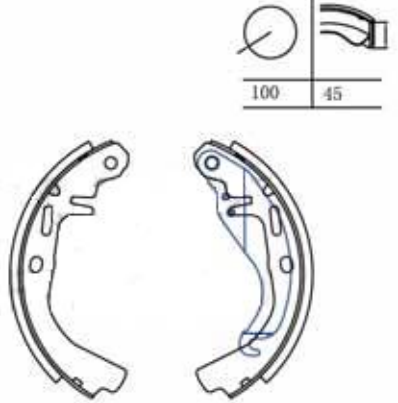
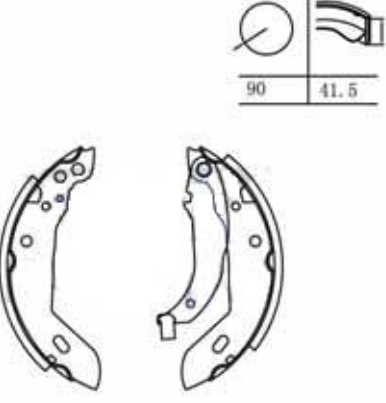
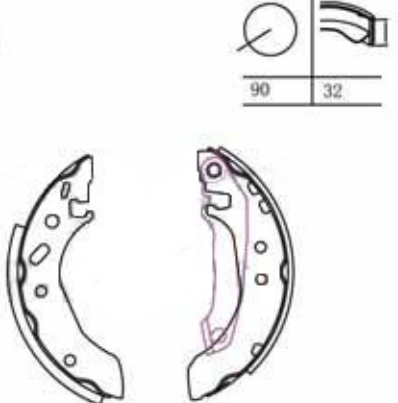
ZZ530



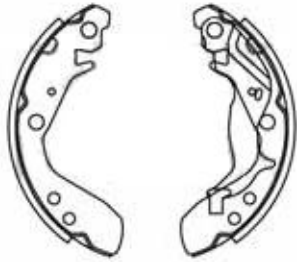
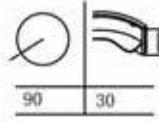
<p>ZZ531</p>  <p>114.3 76</p>	<p>ZZ532</p>  <p>91.5 31</p>
<p>ZZ533</p>  <p>97.8 30</p>	<p>ZZ534</p>  <p>100 32</p>
<p>ZZ535</p>  <p>114.3 64</p>	<p>ZZ536</p>  <p>114 45</p>
<p>ZZ537</p>  <p>101.6 36</p>	<p>ZZ538</p>  <p>101.6 31.5</p>

<p>ZZ 539</p> 	<p>ZZ 540</p> 
<p>ZZ 541</p> 	<p>ZZ 542</p> 
<p>ZZ 543</p> 	<p>ZZ 544</p> 
<p>ZZ 545</p> 	<p>ZZ 546</p> 

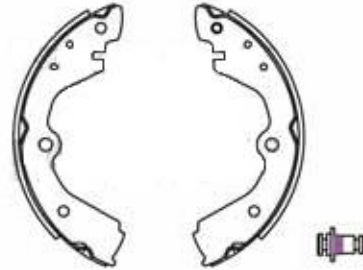
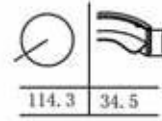
<p>ZZ 547</p>  <p>101.5 38</p>	<p>ZZ 548</p>  <p>189.6 128.5</p>
<p>ZZ 549</p>  <p>190.2 76</p>	<p>ZZ 550</p>  <p>101.6 38.5</p>
<p>ZZ 551</p>  <p>120.6 65.3</p>	<p>ZZ 552</p>  <p>127 64</p>
<p>ZZ 553</p>  <p>95.5 45</p>	<p>ZZ 554</p>  <p>95.5 45</p>

<p>ZZ 555</p>  <p>127 51.8</p>	<p>ZZ 556</p>  <p>130 87/85</p>
<p>ZZ 557</p>  <p>100 45</p>	<p>ZZ 558</p>  <p>147.5 50</p>
<p>ZZ 559</p>  <p>90 31</p>	<p>ZZ 561</p>  <p>100 45</p>
<p>ZZ 562</p>  <p>90 41.5</p>	<p>ZZ 563</p>  <p>90 32</p>

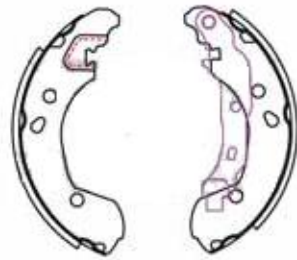
ZZ564



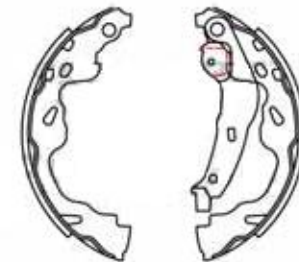
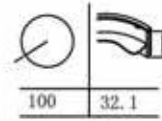
ZZ565



ZZ566



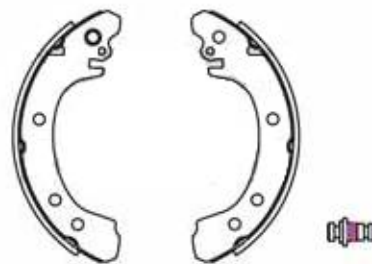
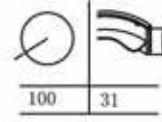
ZZ567



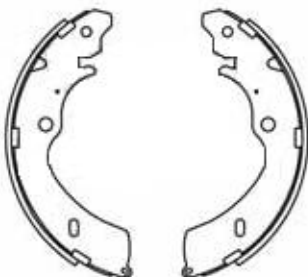
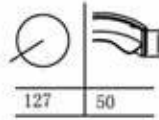
ZZ568



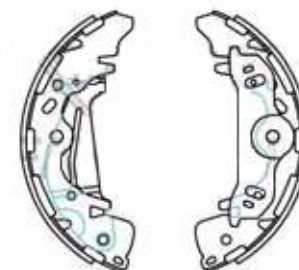
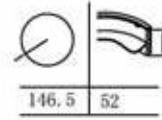
ZZ570



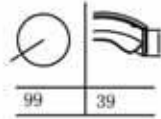
ZZ571



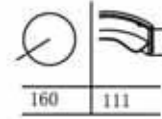
ZZ572



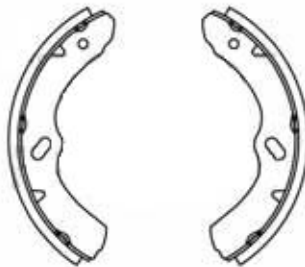
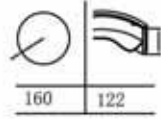
ZZ573



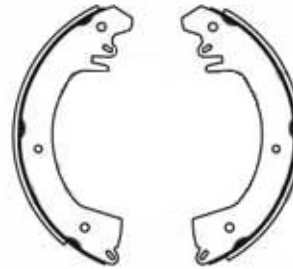
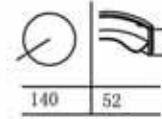
ZZ574



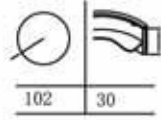
ZZ576



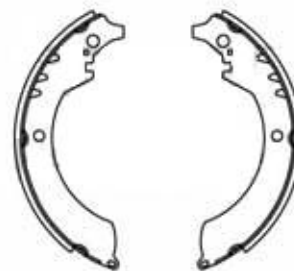
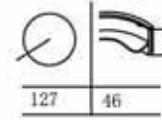
ZZ577



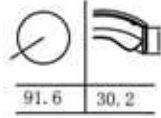
ZZ578



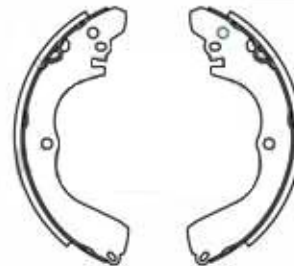
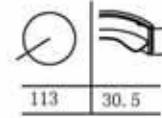
ZZ579

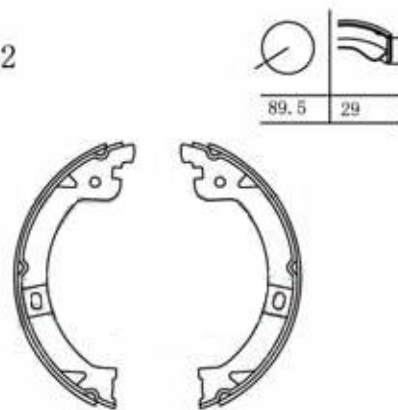
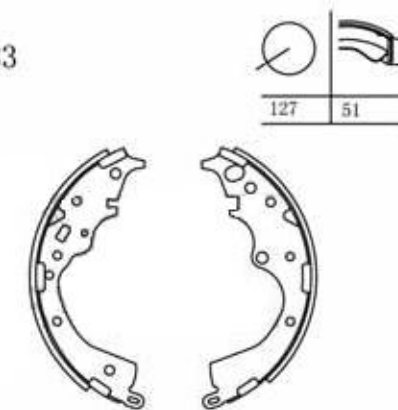
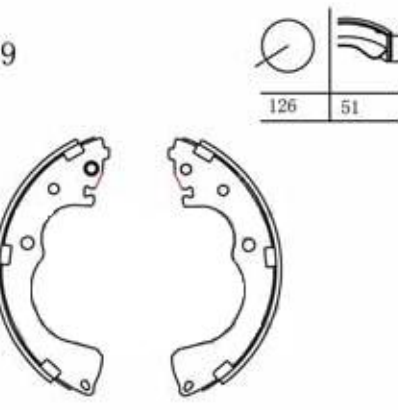
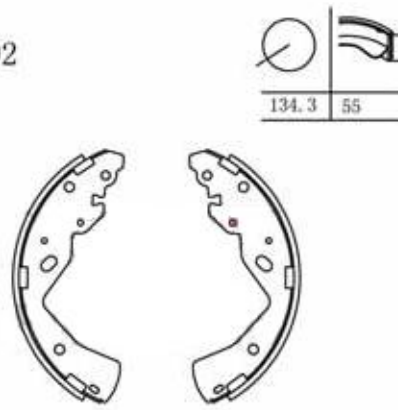

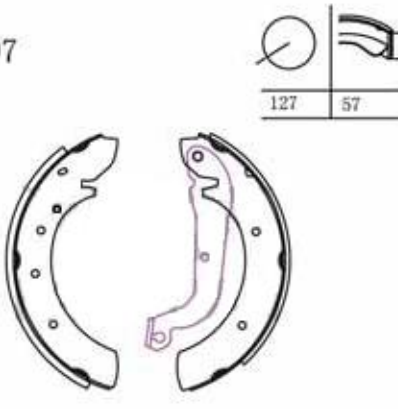
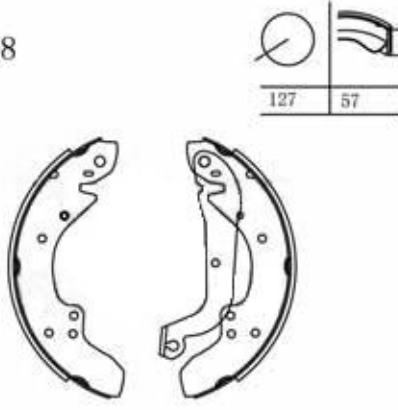
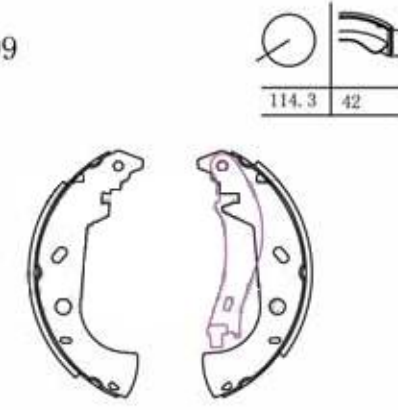


ZZ580

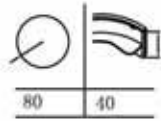


ZZ581

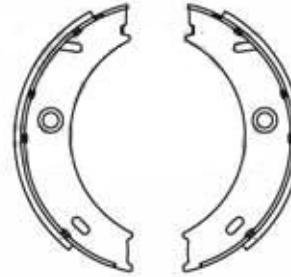
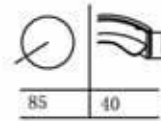


<p>ZZ 582</p>  <p>89.5 29</p>	<p>ZZ 583</p>  <p>127 51</p>
<p>ZZ589</p>  <p>126 51</p>	<p>ZZ592</p>  <p>134.3 55</p>
<p>ZZ596</p>  <p> </p>	<p>ZZ597</p>  <p>127 57</p>
<p>ZZ598</p>  <p>127 57</p>	<p>ZZ599</p>  <p>114.3 42</p>

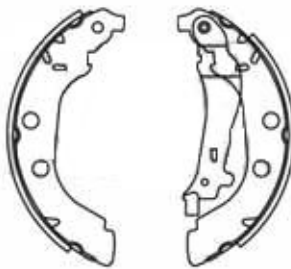
ZZ 600



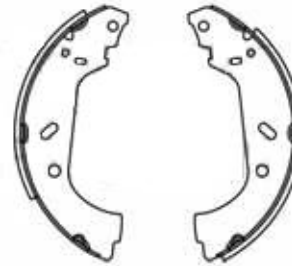
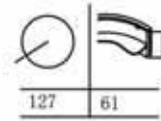
ZZ 601



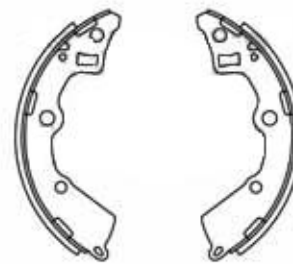
ZZ 602



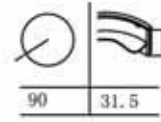
ZZ 603



ZZ 604



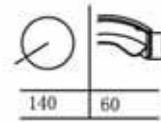
ZZ 605

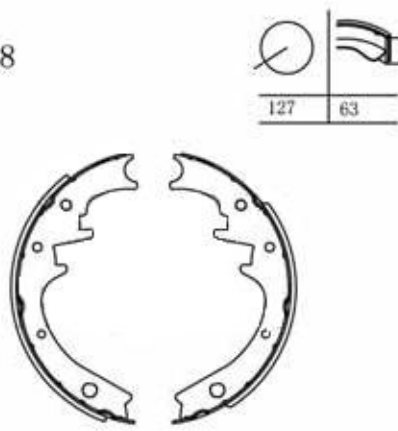
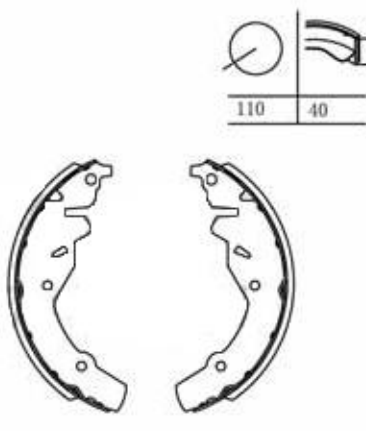
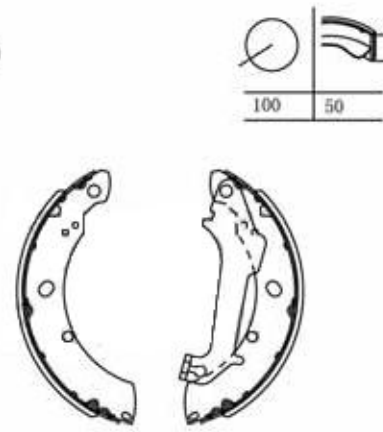

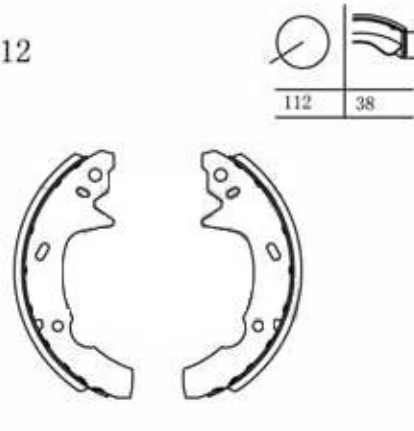
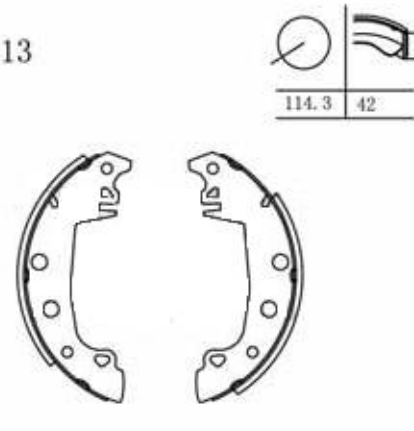
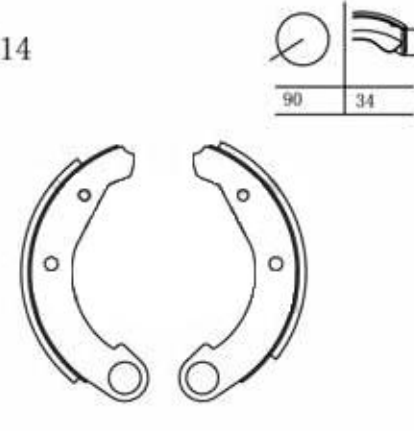
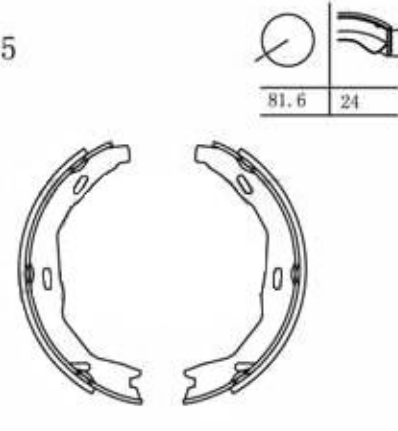


ZZ 606

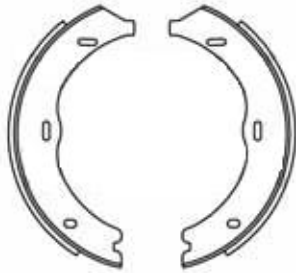
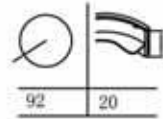


ZZ 607

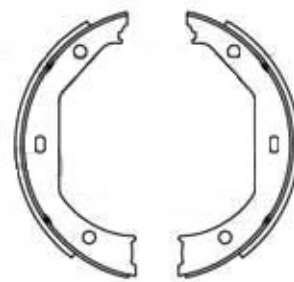
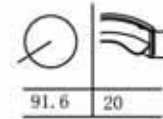


<p>ZZ 608</p>  <p>127 63</p>	<p>ZZ 609</p>  <p>110 40</p>
<p>ZZ 610</p>  <p>100 50</p>	<p>ZZ 611</p>  <p>100 50</p>
<p>ZZ 612</p>  <p>112 38</p>	<p>ZZ 613</p>  <p>114.3 42</p>
<p>ZZ 614</p>  <p>90 34</p>	<p>ZZ 615</p>  <p>81.6 24</p>

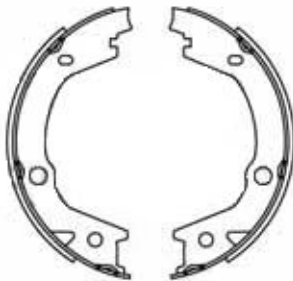
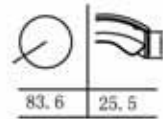
ZZ616



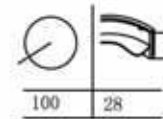
ZZ617



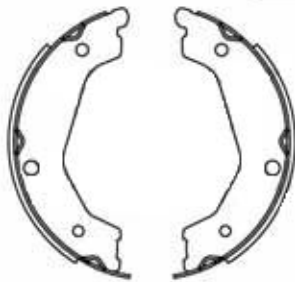
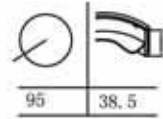
ZZ618



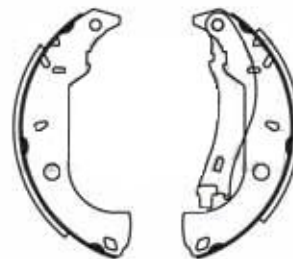
ZZ619



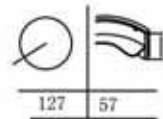
ZZ620



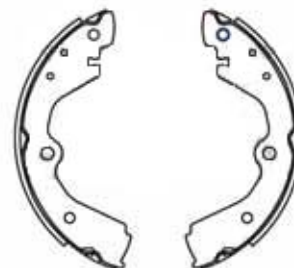
ZZ621

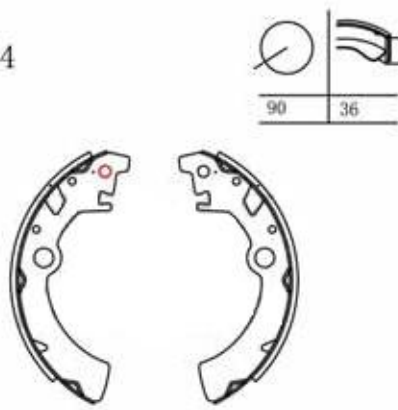
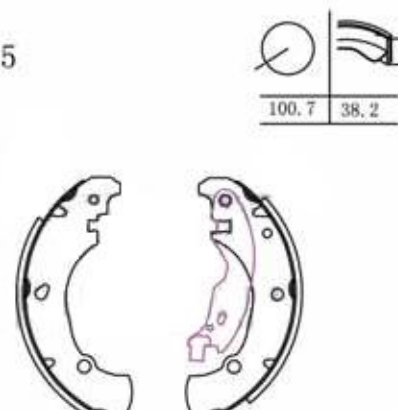
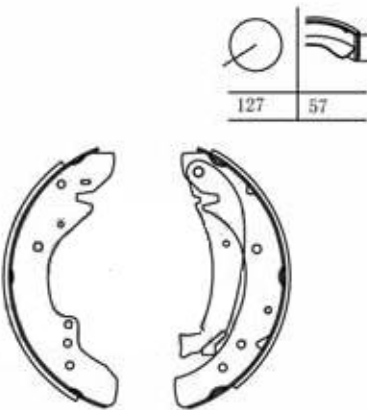
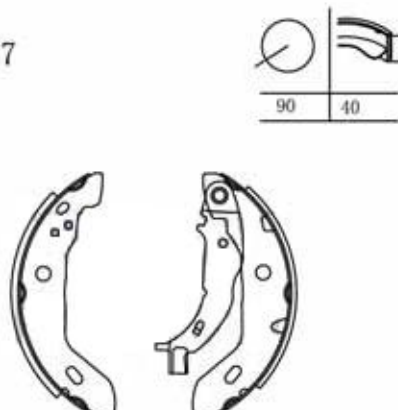
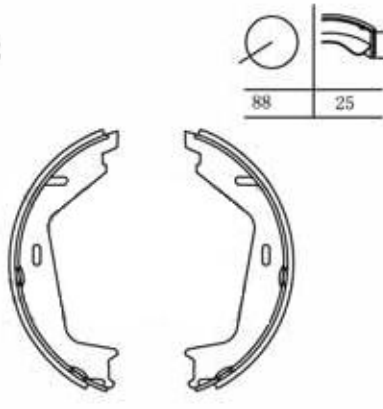
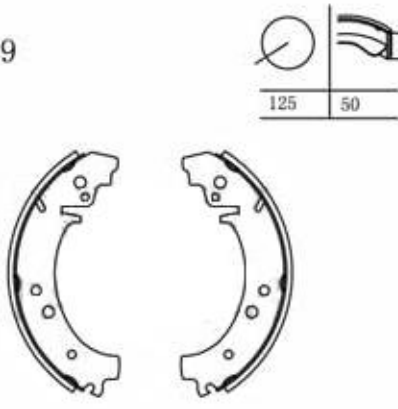
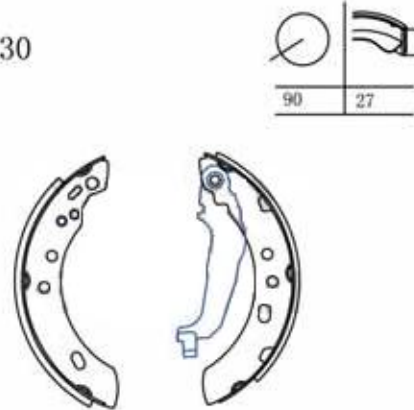



ZZ622

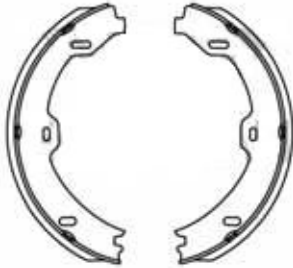
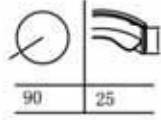


ZZ623

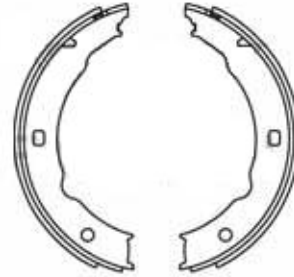
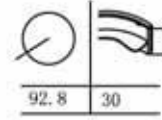


<p>ZZ 624</p>  <p>90 36</p>	<p>ZZ 625</p>  <p>100.7 38.2</p>
<p>ZZ 626</p>  <p>127 57</p>	<p>ZZ 627</p>  <p>90 40</p>
<p>ZZ 628</p>  <p>88 25</p>	<p>ZZ 629</p>  <p>125 50</p>
<p>ZZ 630</p>  <p>90 27</p>	<p>ZZ 631</p>  <p>92.5 31</p>

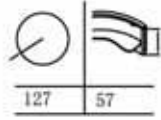
ZZ632



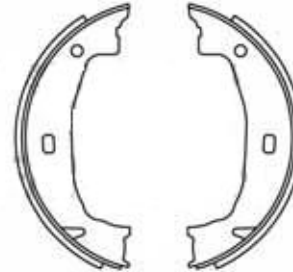
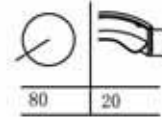
ZZ633



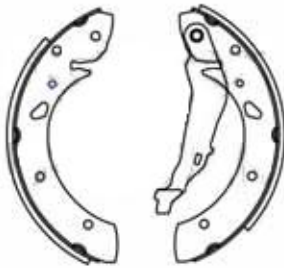
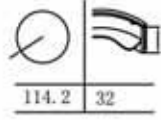
ZZ634



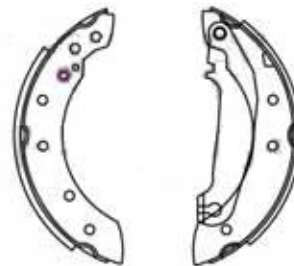
ZZ635



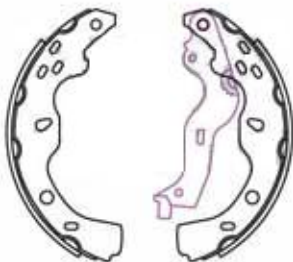
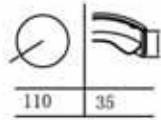
ZZ636



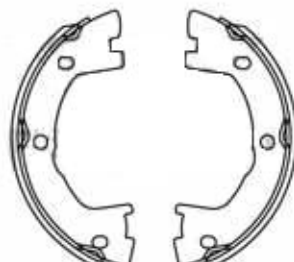
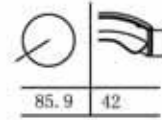
ZZ638

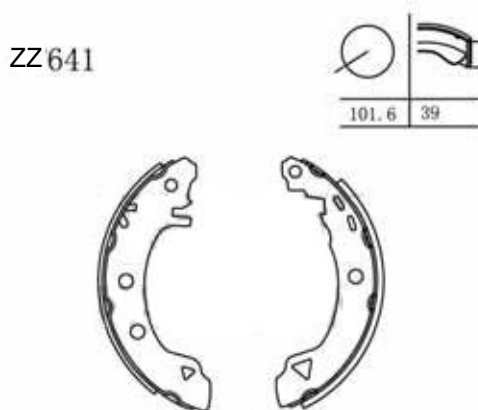
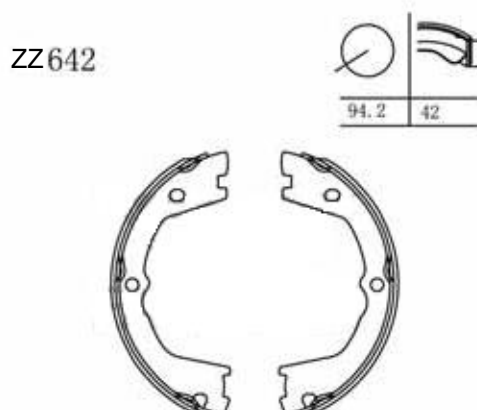
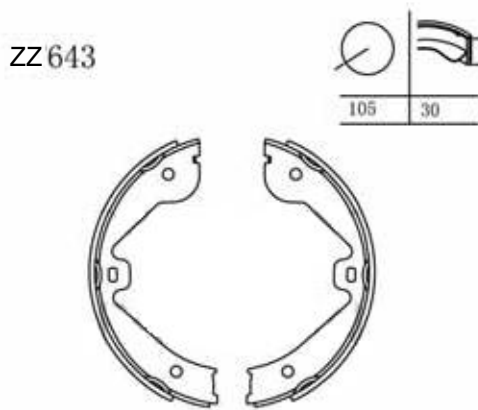
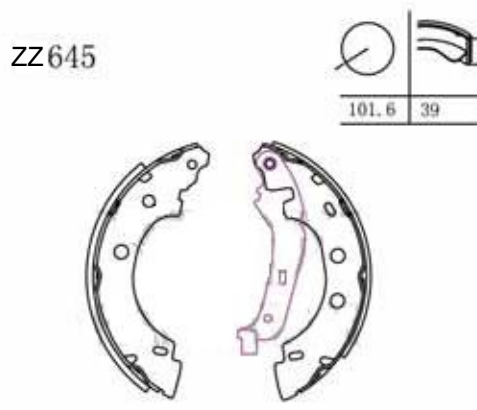
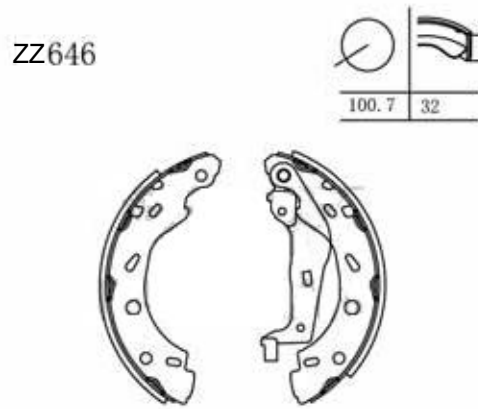
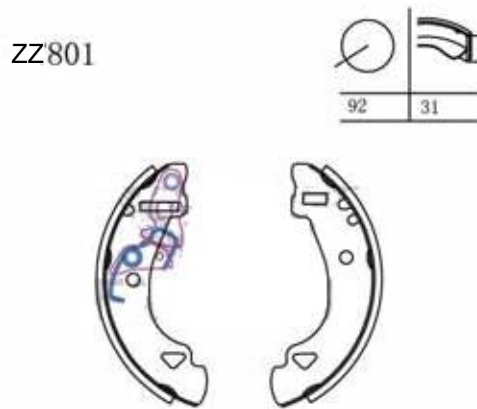
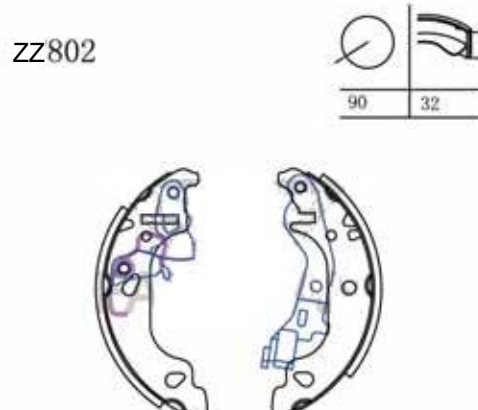
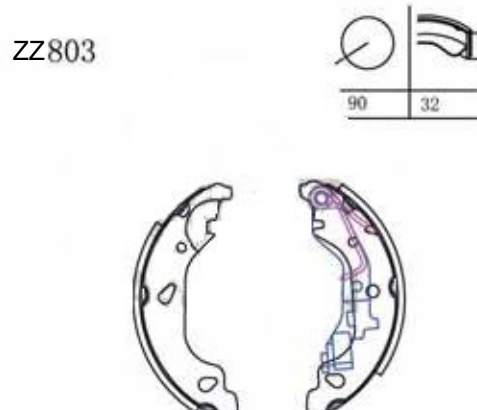


ZZ639

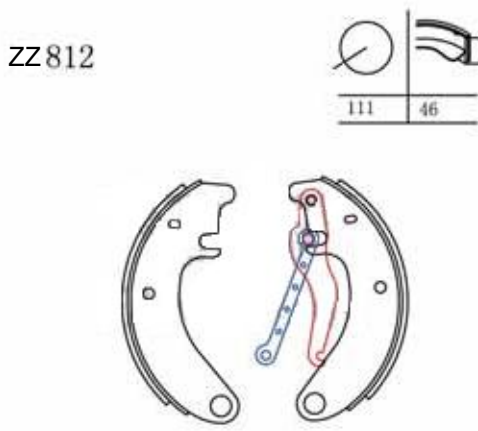
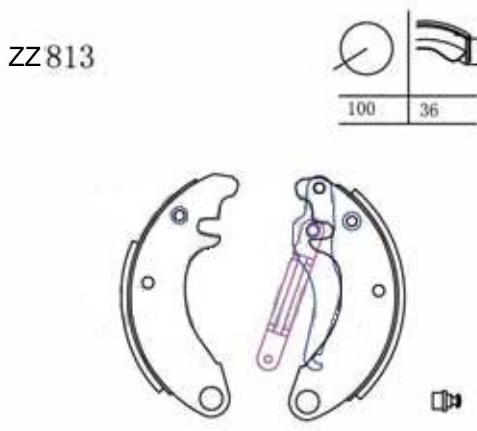
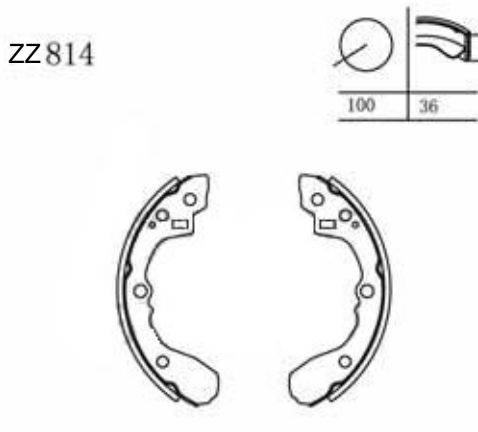
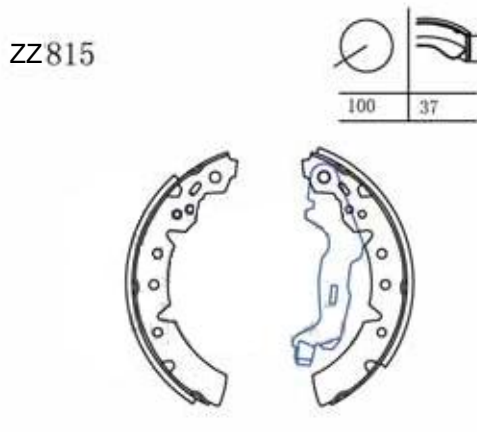
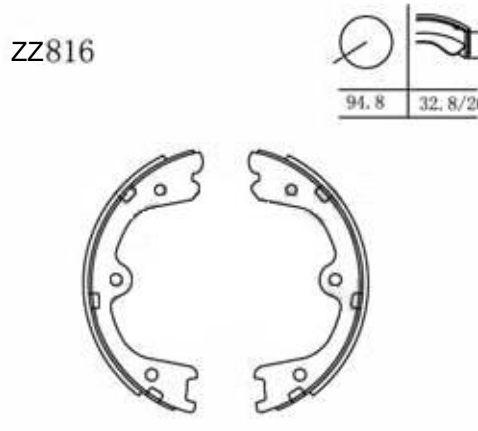
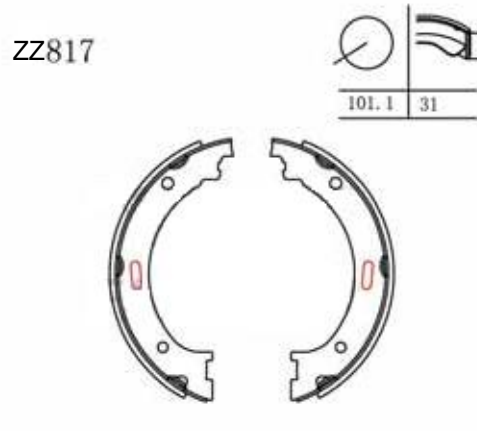
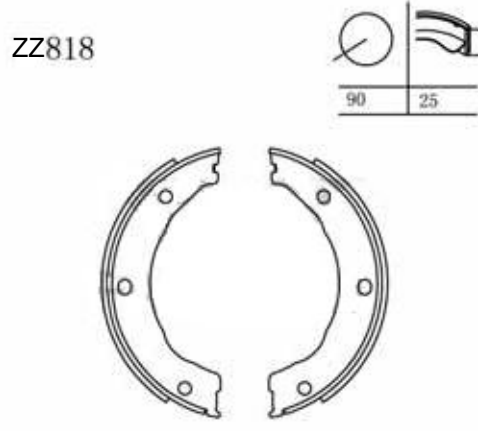
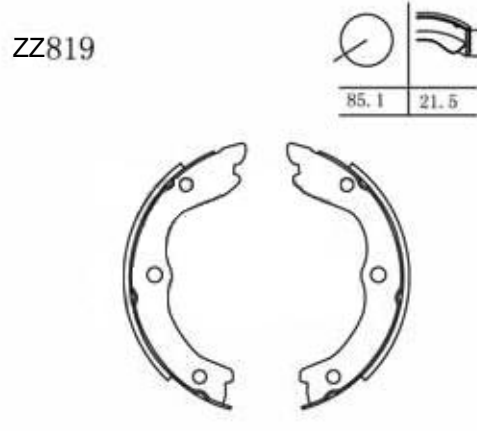


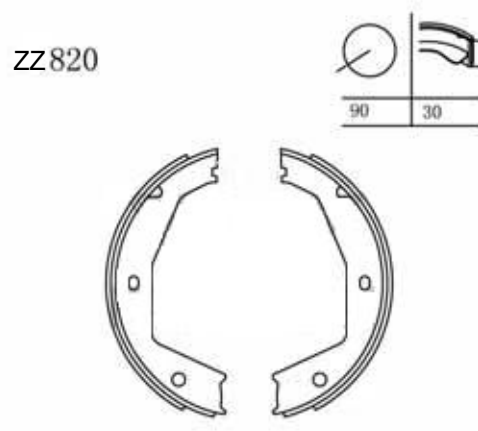
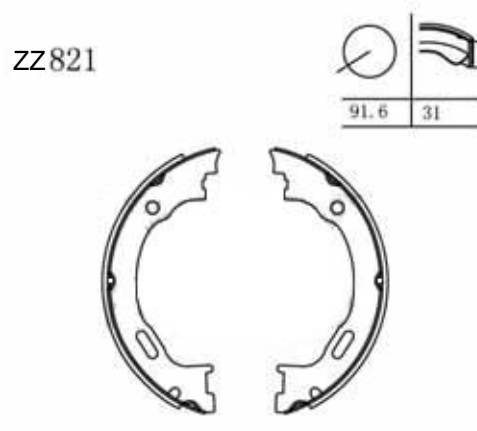
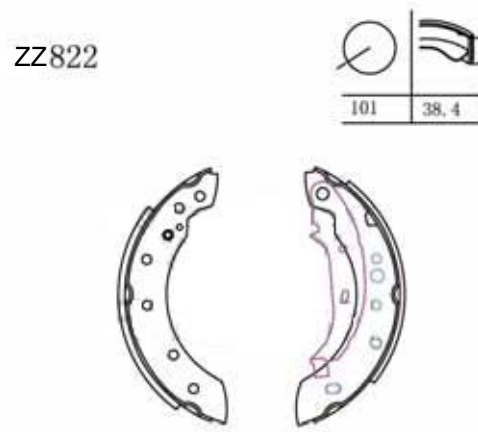
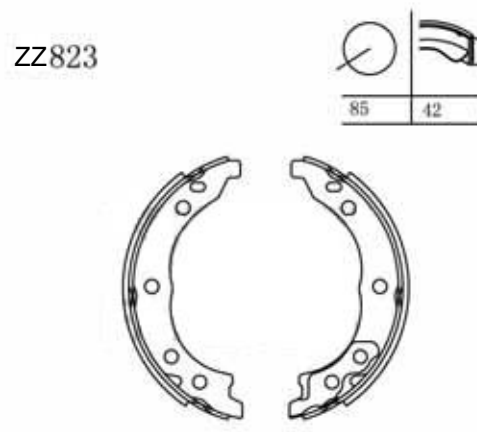
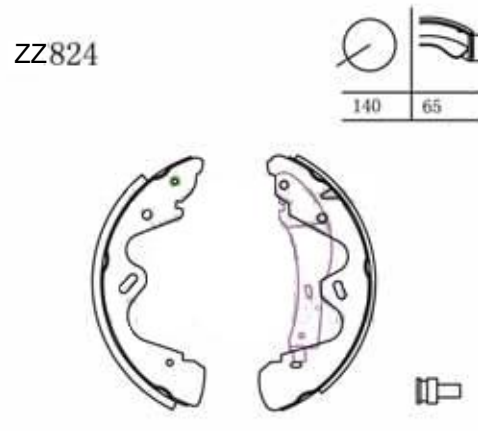
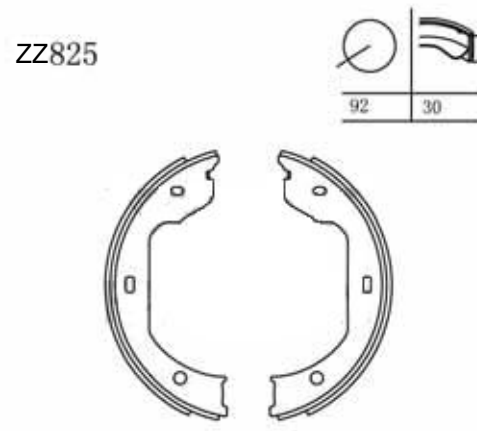
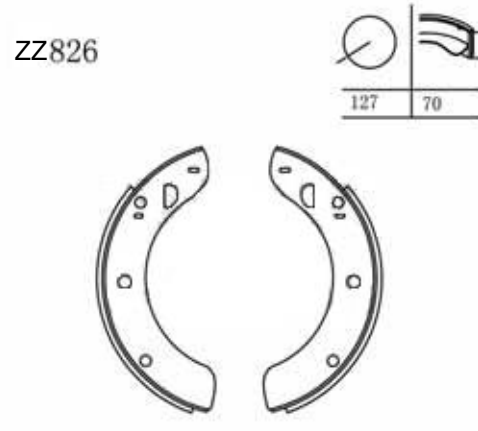
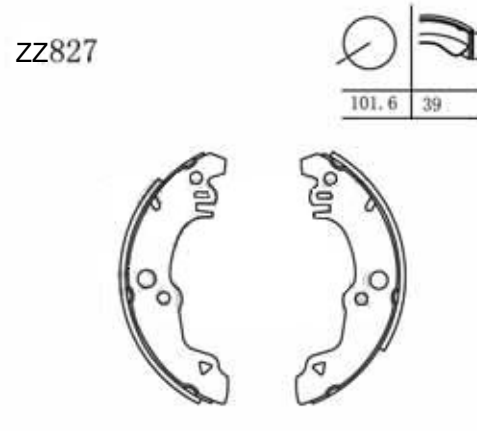
ZZ640

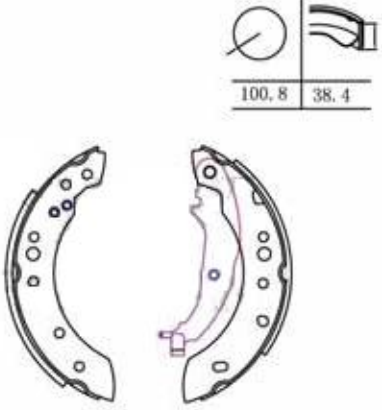
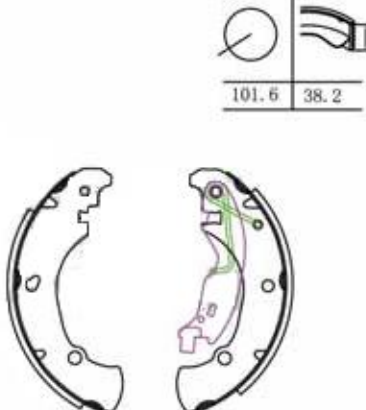
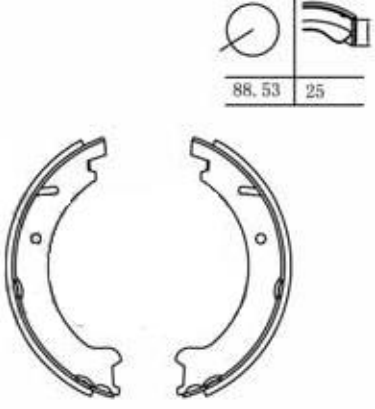
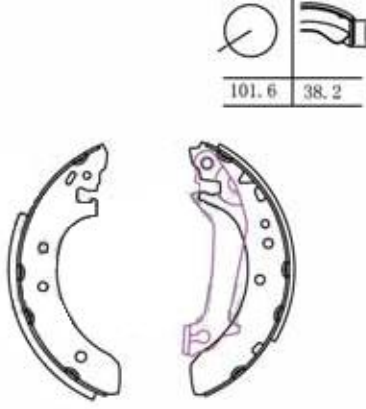
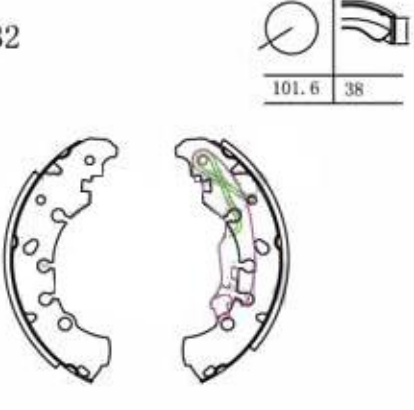
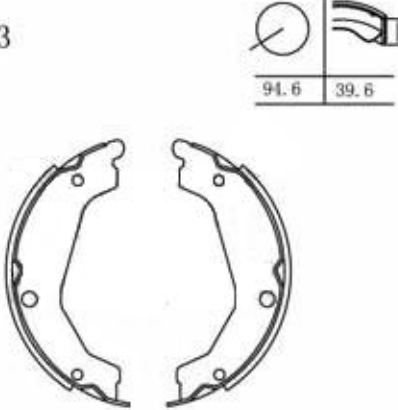
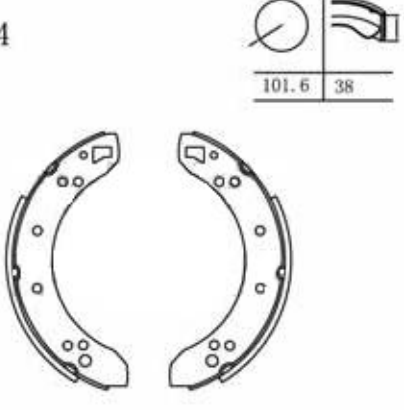
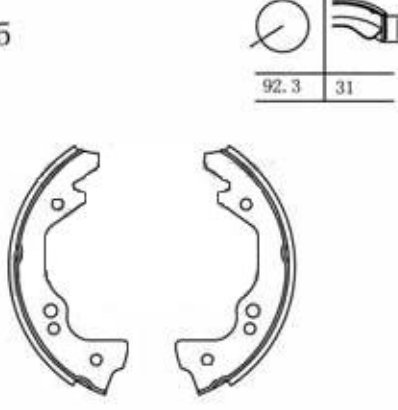


<p>ZZ 641</p> 	<p>ZZ 642</p> 
<p>ZZ 643</p> 	<p>ZZ 645</p> 
<p>ZZ 646</p> 	<p>ZZ 801</p> 
<p>ZZ 802</p> 	<p>ZZ 803</p> 

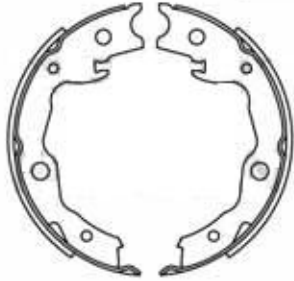
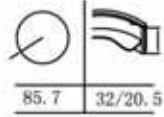
<p>ZZ 804</p>	<p>ZZ 805</p>
<p>ZZ 806</p>	<p>ZZ 807</p>
<p>ZZ 808</p>	<p>ZZ 809</p>
<p>ZZ 810</p>	<p>ZZ 811</p>

<p>ZZ812</p>  <p>111 46</p>	<p>ZZ813</p>  <p>100 36</p>
<p>ZZ814</p>  <p>100 36</p>	<p>ZZ815</p>  <p>100 37</p>
<p>ZZ816</p>  <p>94.8 32.8/26.5</p>	<p>ZZ817</p>  <p>101.1 31</p>
<p>ZZ818</p>  <p>90 25</p>	<p>ZZ819</p>  <p>85.1 21.5</p>

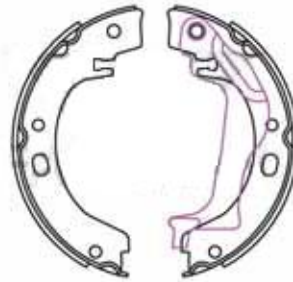
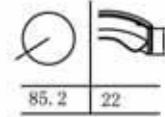
<p>zz820</p> 	<p>zz821</p> 
<p>zz822</p> 	<p>zz823</p> 
<p>zz824</p> 	<p>zz825</p> 
<p>zz826</p> 	<p>zz827</p> 

<p>ZZ828</p>  <p>100.8 38.4</p>	<p>ZZ829</p>  <p>101.6 38.2</p>
<p>ZZ830</p>  <p>88.53 25</p>	<p>ZZ831</p>  <p>101.6 38.2</p>
<p>ZZ832</p>  <p>101.6 38</p>	<p>ZZ833</p>  <p>94.6 39.6</p>
<p>ZZ834</p>  <p>101.6 38</p>	<p>ZZ835</p>  <p>92.3 31</p>

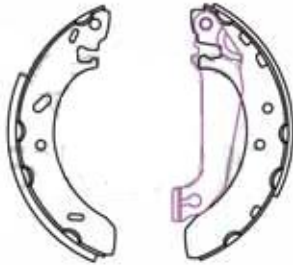
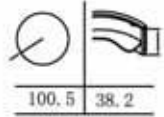
zz836



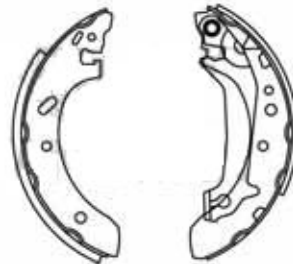
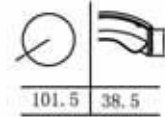
zz837



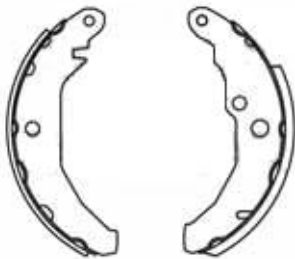
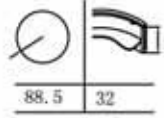
zz838



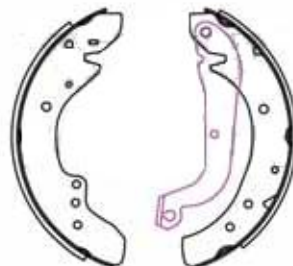
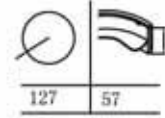
zz839



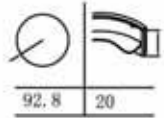
zz 840



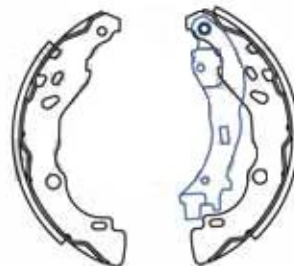
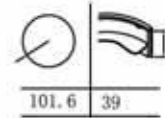
zz841



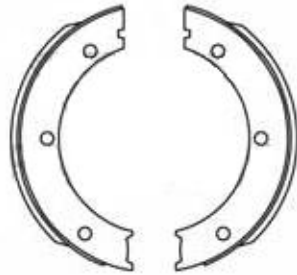
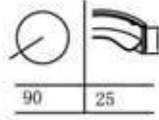
zz842



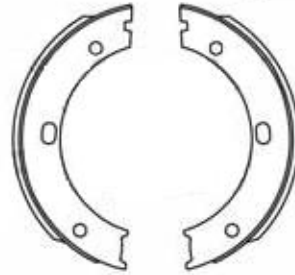
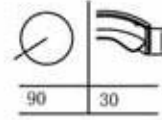
zz843



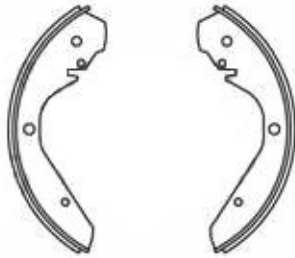
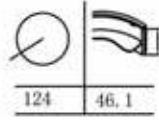
ZZ844



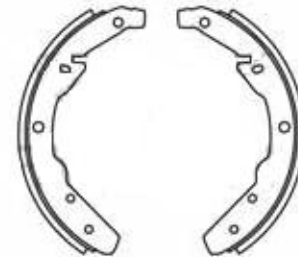
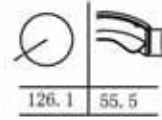
ZZ845



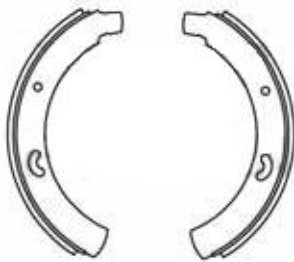
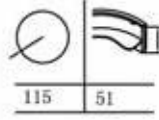
ZZ846



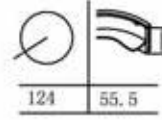
ZZ847



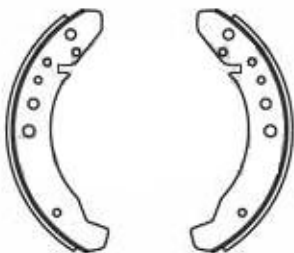
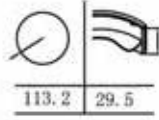
ZZ848



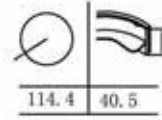
ZZ849



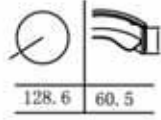
ZZ850



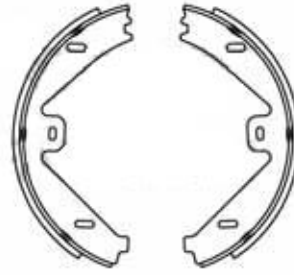
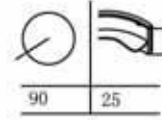
ZZ851



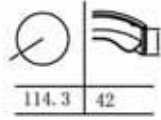
ZZ852



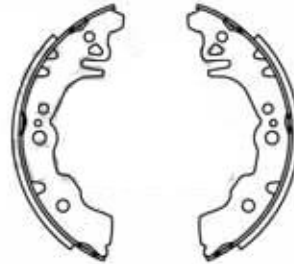
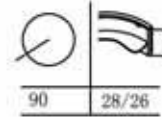
ZZ853



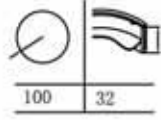
ZZ854



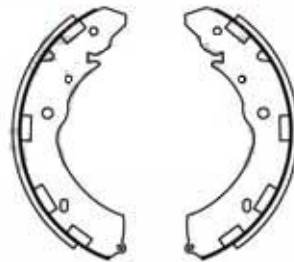
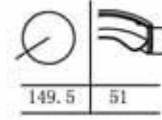
ZZ855



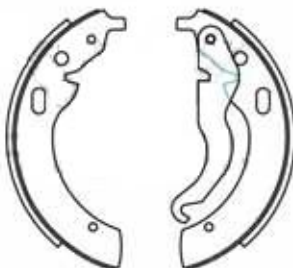
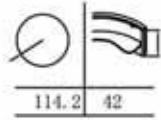
ZZ856



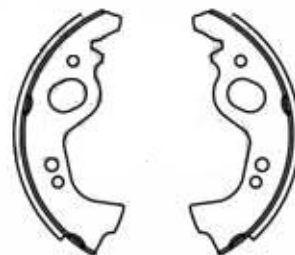
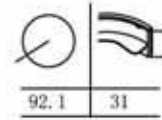
ZZ857

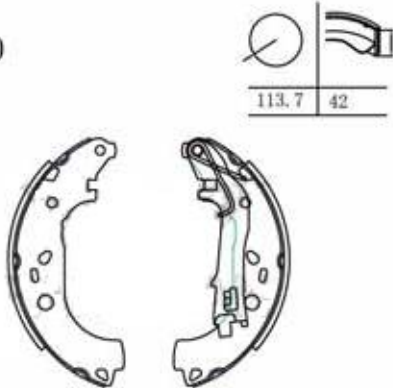
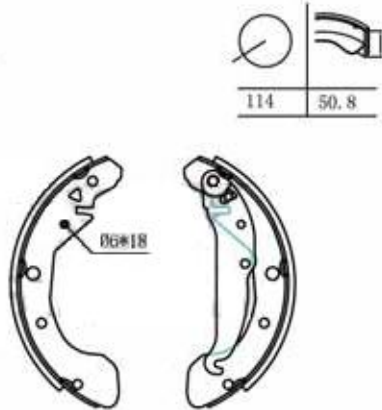
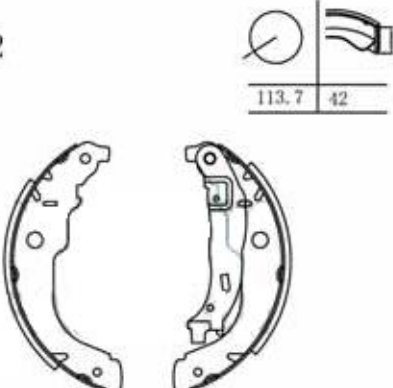
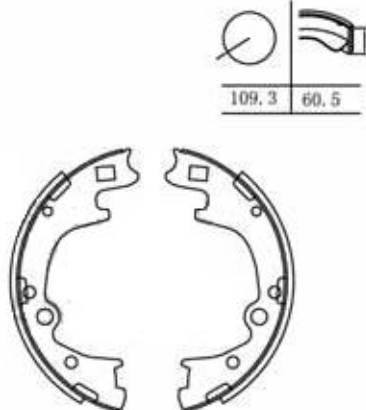
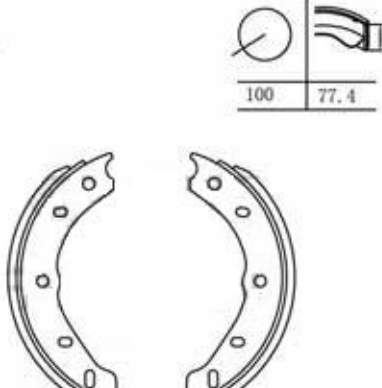
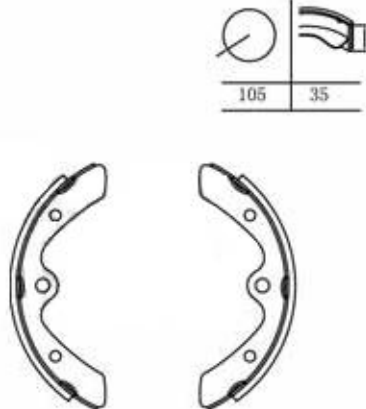

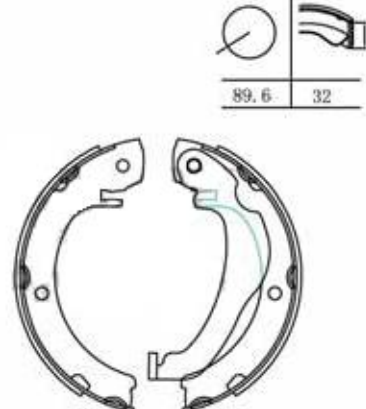


ZZ858

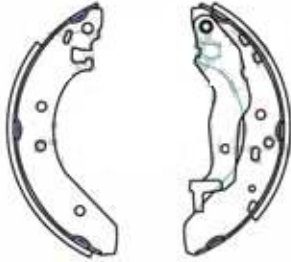
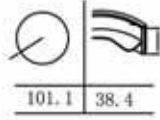


ZZ859

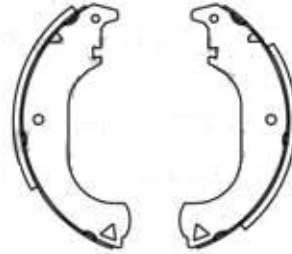
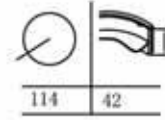


<p>ZZ860</p>  <p>113.7 42</p>	<p>ZZ861</p>  <p>114 50.8</p>
<p>ZZ862</p>  <p>113.7 42</p>	<p>ZZ863</p>  <p>109.3 60.5</p>
<p>ZZ864</p>  <p>100 77.4</p>	<p>ZZ865</p>  <p>105 35</p>
<p>ZZ866</p>  <p>81.9 27.8</p>	<p>ZZ867</p>  <p>89.6 32</p>

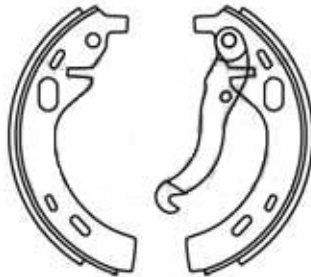
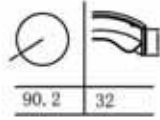
ZZ868



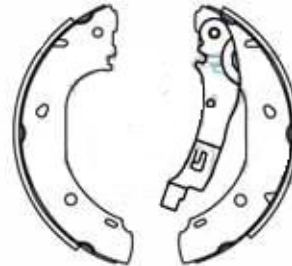
ZZ869



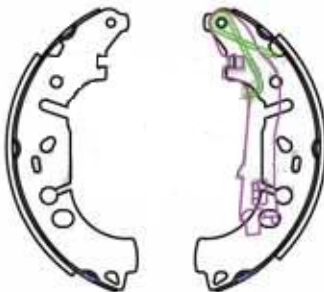
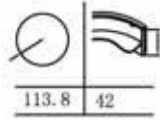
ZZ870



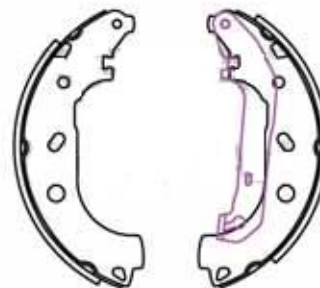
ZZ871



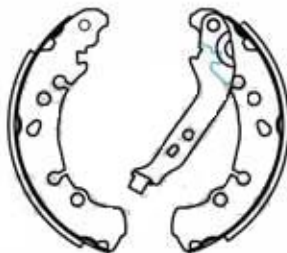
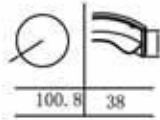
ZZ872



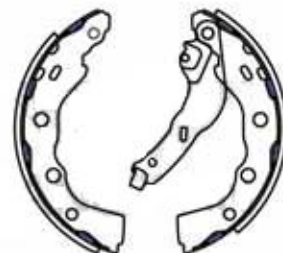
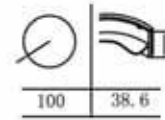
ZZ873



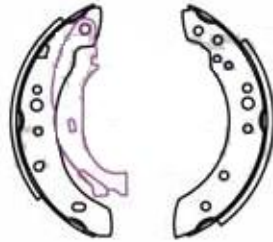
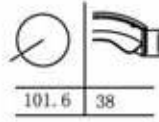
ZZ874



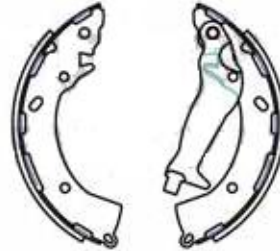
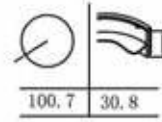
ZZ875



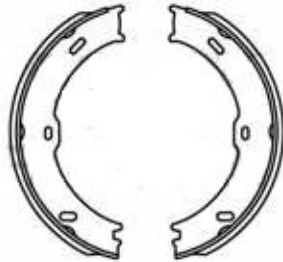
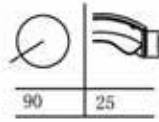
ZZ876



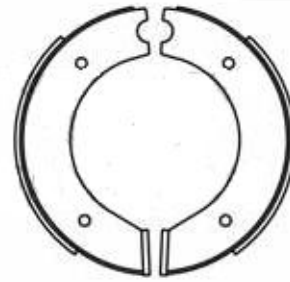
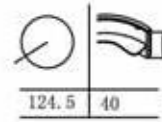
ZZ877



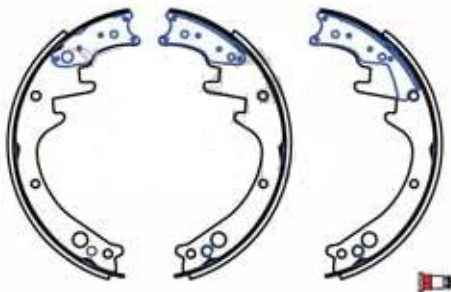
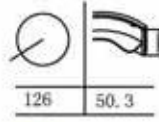
ZZ878



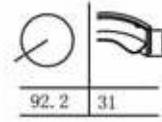
ZZ879



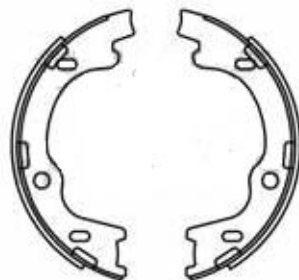
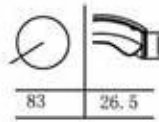
ZZ880



ZZ881

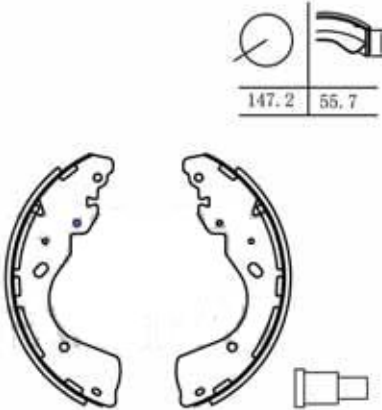








ZZ882



ZZ883



<p>zz884</p> 	<p>zz885</p> 
<p>zz886</p> 	<p>zz887</p> 
<p>zz888</p> 	<p>zz889</p> 
<p>zz890</p> 	<p>zz891</p> 